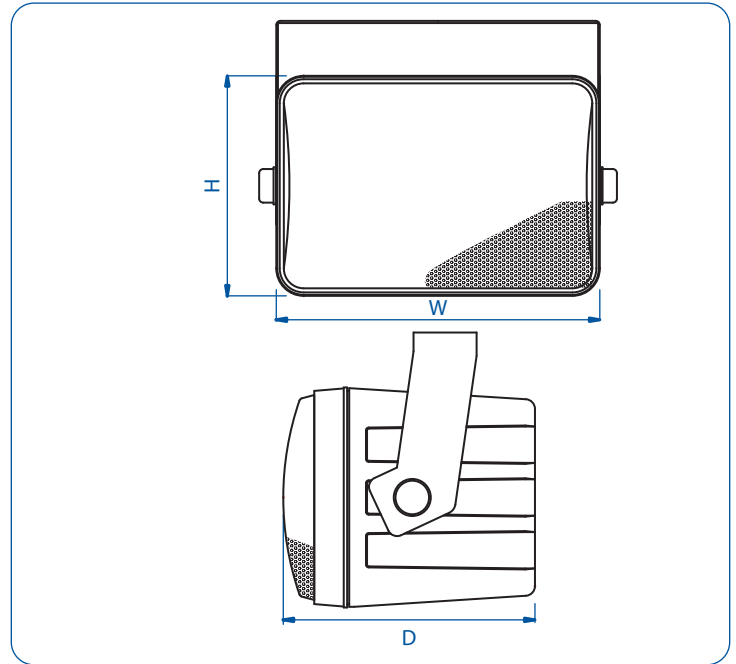




# WCS Series Waterproof Cabinet Loudspeaker



- 100 Hours Life Tested
- CE Certified (EMC & LVD)
- IP Rated
- Rustproof
- UL94V0
- BS 5839 Part 8
- EASE Data
- RoHS Compliance
- UV Protected
- Withstanding/Insulation Tested

- Highly versatile range of background music & sound re-enforcement cabinet loudspeakers for indoor & outdoor use.
- Water-resistant to IEC529 IP55.
- Stainless steel exterior hardware.
- Power levels from 30 to 50 watts.
- High impact ABS/Fibre cabinet.
- Multi impedance 100 volt, 70 volt & 8Ω settings plus tappings - via selector control.
- U mount bracket included as a standard accessory.
- Durable Nylon / Fibre multi bracket optional (broken tested up to 45.4 kgs / 100 lbs).  
(B8-10-0091 Multi bracket-Black & B8-19-0091 Multi bracket-White - See accessory page)
- Available in Black (RAL 9005) & White (RAL 9016).

Model No.	WCS-5300U/S	WCS-5300WU/S	WCS-6500U/S
Rated Power (rms)	30W		50W
Impedance	167Ω, 333Ω, 667Ω, 1.33kΩ, 2.66kΩ		100Ω, 200Ω, 400Ω, 800Ω, 1.60kΩ
Power Taps @ 100V	30W, 15W, 7.5W, 3.75W, & 8Ω		50W, 25W, 12.5W, 6.3W & 8Ω
Power Taps @ 70V	30W, 15W, 7.5W, 3.75W, 1.9W & 8Ω		50W, 25W, 12.5W, 6.3W, 3.1W & 8Ω
SPL (1W / 1M)	87 dB		89 dB
Max. SPL (Rated W / 1M)	102 dB		106 dB
Frequency Range (-10dB)	100 Hz ~ 20K Hz		90 Hz ~ 20K Hz
Dispersion 1K Hz / 4K Hz	200° / 80°		120° / 70°
Ambient Temperature	-20°C ~ +60°C		
Water Protection	IEC529 IP55		
Power Selection	Selecting Switch		
Termination	Push Terminal		
Material	Housing: High impact ABS with fibre, Grille: Stainless Steel.		
Colour / Finish	Black (RAL 9005)	White (RAL 9016)	Black (RAL 9005)
Dimensions	232 (9.13) W X 158 (6.22) H x 180 (7.09) D mm. (in.)		285 (11.22) W X 195 (7.68) H x 220 (8.66) D mm. (in.)
Net Weight (ea)	3.0 kgs (6.61 lbs.)		4.2 kgs (9.24 lbs.)
Mounting	U Type Stainless Steel Bracket		