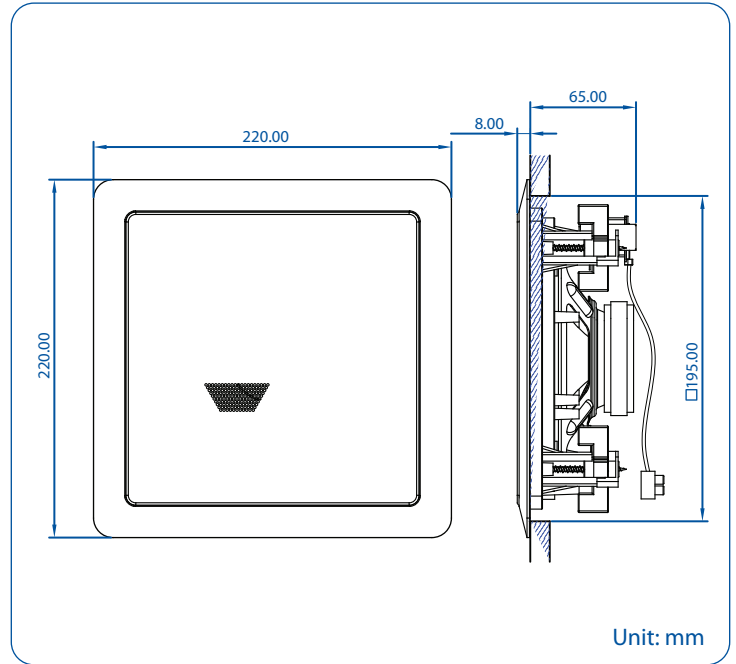




# IWP-6061

## In-Wall Plastic Loudspeaker



- 100 Hours Life Tested
- CE Certified (EMC & LVD)
- IP Rated
- Rustproof
- UL94V0
- BS 5839 Part 8
- EASE Data
- RoHS Compliance
- UV Protected
- Withstanding/Insulation Tested

- Low profile grille design.
- Rotating mount tabs for easy installation.
- Ideal for shallow ceiling voids.
- Fitted with a twin cone driver unit.
- Designed to offer a wide response for music & speech.
- 6 watt transformer with multi tapings down to 1.5W (100V) & 0.75W (70V).
- High impact ABS grille.
- Finished in brilliant white (RAL 9016).

Model No.	IWP-6061
Rated Power (rms)	6W
Impedance	1.67kΩ, 3.33kΩ & 6.67kΩ
Power Taps @ 100V	6W, 3W & 1.5W
Power Taps @ 70V	3W, 1.5W & 0.75W
SPL (1W / 1M)	90dB
Max. SPL (Rated 6W / 1M)	99dB
Frequency Range (-10dB)	100 Hz ~ 20K Hz
Dispersion 1K Hz / 4K Hz	125°/100°
Ambient Temperature	-30°C ~ +60°C
Power Selection	Plug
Material	Baffle: High impact ABS
Colour / Finish	White (RAL 9016)
Dimensions	220 (8.66) X 220 (8.66) X 73 (2.87) mm. (in.)
Cutout Size	195 (7.67) Dia. mm. (in.)
Net Weight (ea)	1.11 kgs (2.44 lbs)
Mounting	Rotating Mount Tabs