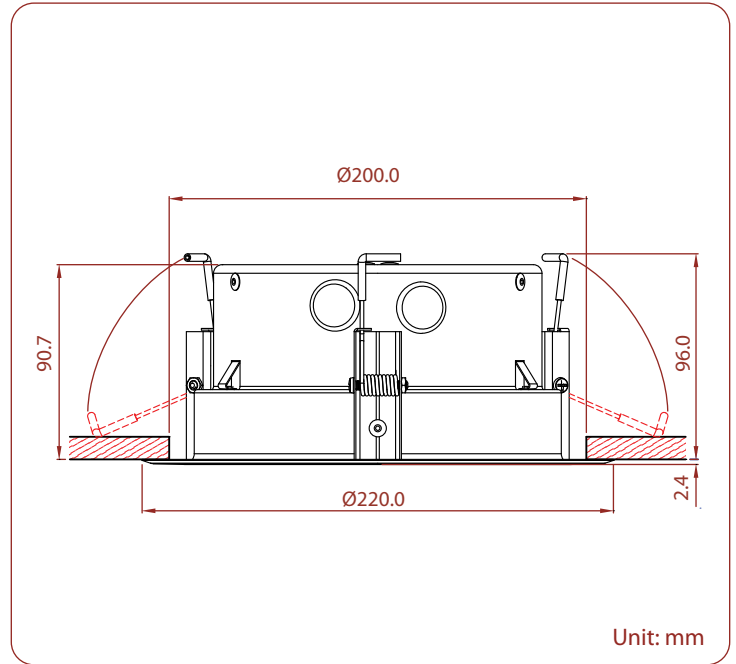
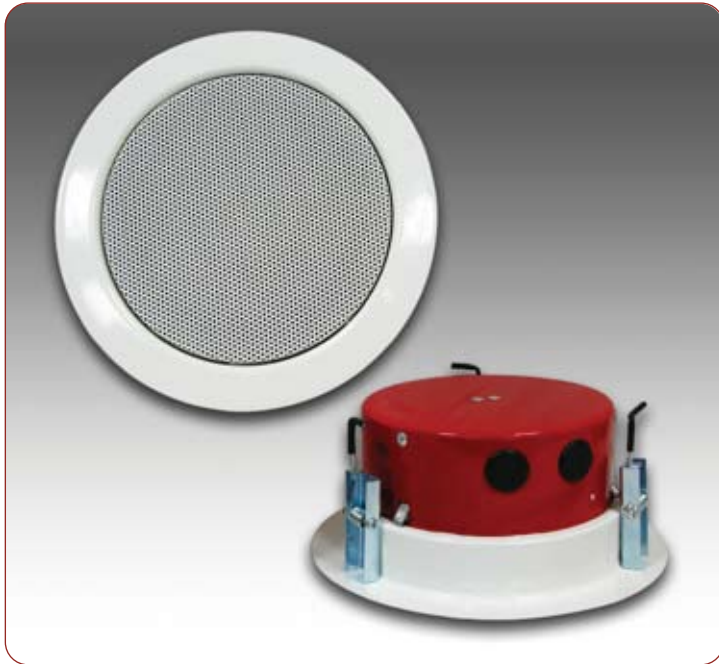




CLM-6061VAF Metal Ceiling Loudspeaker



- 100 Hours Life Tested
- CE Certified (EMC & LVD)
- IP Rated
- Rustproof
- UL94V0
- BS 5839 Part 8
- EASE Data
- RoHS Compliance
- UV Protected
- Withstanding/Insulation Tested

- Compliant to BS5839 part 8 (British standard for voice alarm system).
- Mild steel construction capable of withstanding temperature of 650°C.
- Ceramic termination blocks and fire resistant internal cabling.
- 150°C thermal isolating fuse.
- Super low profile grille and fire dome design. Ideal for shallow ceiling voids.
- Easy snap-on fire dome.
- Fitted with a twin cone driver unit.
- Designed to offer a wide response for music & speech.
- A great alternative for the price conscious customer.
- 6 watt transformer with multi tapplings down to 1.5W (100V) & 0.75W (70V).
- Finished in brilliant white (RAL 9010).

Model No.	CLM-6061VAF
Rated Power (rms)	6W
Impedance	1.67kΩ, 3.33kΩ & 6.67kΩ
Power Taps @ 100V	6W, 3W & 1.5W
Power Taps @ 70V	3W, 1.5W & 0.75W
SPL (1W / 1M)	90dB
Max. SPL (Rated W / 1M)	99dB
Frequency Range (-10dB)	85Hz ~ 20KHz
Dispersion 1K Hz / 4K Hz	125°/70°
Ambient Temperature	-30°C ~ +60°C
Power Selection	Plug
Material	Baffle: Steel, Grille: Steel, Fire Dome: Steel
Colour / Finish	White (RAL 9010)
Dimensions	220.0 (8.66) Dia. X 96.0 (3.77) Height mm. (in.)
Cutout Size	200.0 (7.87) Dia. mm. (in.)
Net Weight (ea)	1.34 kgs (2.95 lbs)
Mounting	Quick Spring Clips and Snap-on Fire Dome