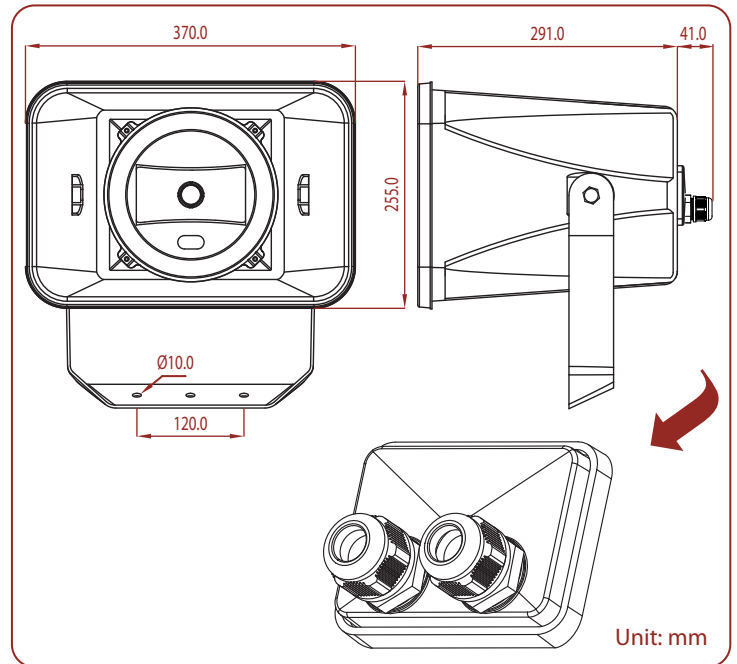




MUH-6300VA Music Horn Loudspeaker



- ✓ 100 Hours Life Tested
- ✓ CE Certified (EMC & LVD)
- ✓ IP Rated
- ✓ Rustproof
- ✓ UL94V0
- ✓ BS 5839 Part 8
- ✓ EASE Data
- ✓ RoHS Compliance
- ✓ UV Protected
- ✓ Withstanding/Insulation Tested

Engineered to provide the highest quality voice and music reproduction for both indoor and outdoor applications where long throw, large area coverage is desired in harsh environments. Ideal for applications such as sports stadiums, cruise liners, school yards, municipal swimming pools, high ambient industrial areas and leisure / theme parks.

- Compliant to BS5839 part 8 (British standard for voice alarm system).
- Two-way capabilities for security / monitoring applications.
- Ingress protected to IEC529 IP66.
- UV protected for years of outdoor use.
- Manufactured in ABS & Polypropylene with glass fibre.
- Trunion extruded aluminium bracket with stainless mounting screws.

Model No.	MUH-6300VA
Rated Power (rms)	30W
Impedance	167Ω, 333Ω, 667Ω, 1.33kΩ, 2.67kΩ
Power Taps @ 100V	30W, 15W, 7.5W & 3.75W
Power Taps @ 70V	30W, 15W, 7.5W, 3.75W & 1.9W
SPL (1W / 1M)	97dB
Max. SPL (Rated W / 1M)	113dB
Frequency Range (-10dB)	100Hz ~ 20KHz
Frequency Range (-20dB)	92Hz ~ 20KHz
Dispersion 1K Hz / 4K Hz	85° / 45°
Ambient Temperature	-30°C ~ +60°C
Ingress Protection	IEC529 IP66
Power Selection	Ceramic Terminal Block
Material	Housing: High impact ABS with UV protection, Center: Polypropylene with glass fibre
Colour / Finish	Light Grey (RAL 7035)
Dimensions	370.0 (14.57) X 255.0 (10.04) x 291.0 (11.46) Length mm (in.)
Net Weight (ea)	4.60 Kgs (10.14 lbs.)
Mounting	U Type Aluminium Bracket