



# PRH Marine Series Plastic Horn Loudspeaker

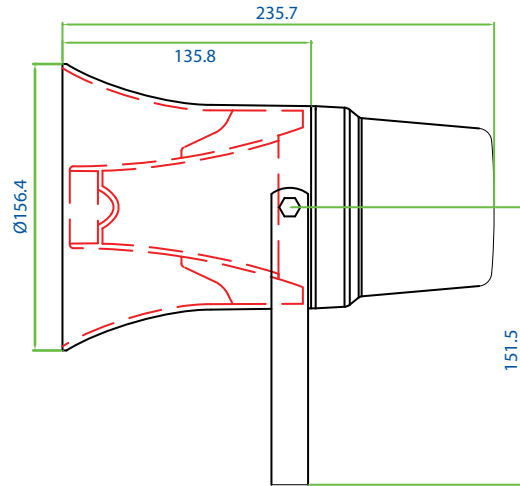
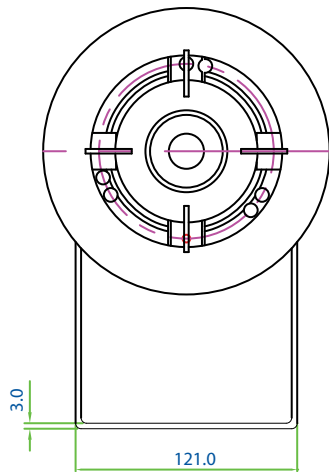


- 100 Hours Life Tested
- CE Certified (EMC & LVD)
- IP Rated
- Rustproof
- UL94V0
- BS 5839 Part 8
- EASE Data
- RoHS Compliance
- UV Protected
- Withstanding/Insulation Tested

- Ideal for both marine and industrial applications. Used by various shipyards worldwide.
- ASTM salt spray 500 hours tested.
- ASTM UV resistance 600 hours tested.
- Ingress protected to IEC529 IP66.
- Very high efficiency.
- Built-in line transformer with screwdriver adjustable power selector (sealed).
- Two cable entries to enable loop in loop out installation.
- Equipped with rust-proof V4A exterior hardware.

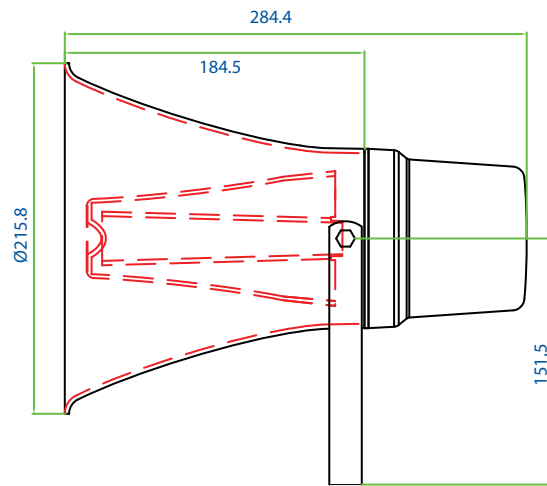
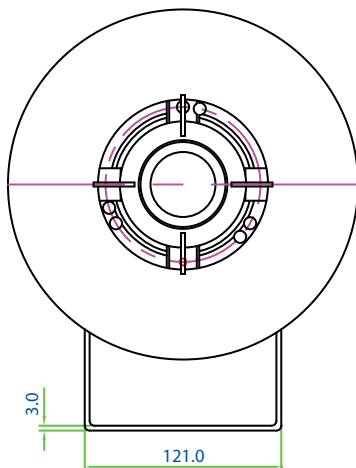
Model No.	PRH-6101MS	PRH-6108MS	PRH-8151MS	PRH-8158MS	PRH-10301MS	PRH-10308MS
Rated Power (rms)	10W		15W		30W	
Impedance	1kΩ, 2kΩ, 4kΩ, 8kΩ	8Ω	667Ω, 1.33kΩ, 2.67kΩ & 5.33kΩ		8Ω	333Ω, 667Ω, 1.33kΩ, 2.67kΩ
Power Taps @ 100V	10W, 5W, 2.5W, 1.25W	N.A.	15W, 7.5W, 3.75W, 1.87W		N.A.	30W, 15W, 7.5W, 3.75W
Power Taps @ 70V	5W, 2.5W, 1.25W, 0.625W	N.A.	7.5W, 3.75W, 1.87W, 0.94W		N.A.	15W, 7.5W, 3.75W, 1.87W
SPL (1W / 1M)	106dB		108dB		110dB	
Max. SPL (Rated W / 1M)	116dB		120dB		125dB	
Frequency Range (-10dB)	380Hz ~ 9KHz		460Hz ~ 9KHz		400Hz ~ 7.5KHz	
Frequency Range (-20dB)	340Hz ~ 11KHz		300Hz ~ 11KHz		270Hz ~ 12KHz	
Dispersion 1K Hz / 4K Hz	210° / 45°		120° / 30°		110° / 30°	
Ambient Temperature	-30°C ~ +60°C					
Ingress Protection	IEC529 IP66					
Power Selection	Plug					
Material	Housing: High impact ABS (ASTM UV resistance 600 hours tested)					
Colour / Finish	Light Grey (RAL 7035)					
Dimensions	156.4 (6.15) Dia. X 235.7 (9.30) Length mm. (in.)		215.8 (8.50) Dia. X 284.4 (11.20) Length mm. (in.)		232.7 (9.16) Dia. X 324.6 (12.80) Length mm. (in.)	
Net Weight (ea)	1.54 kgs (3.40 lbs.)	1.24 kgs (2.80 lbs.)	1.74 kgs (3.84 lbs.)	1.44 kgs (3.20 lbs.)	2.11 kgs (4.65 lbs.)	1.81 kgs (4.00 lbs.)
Mounting	U Type V4A Stainless Steel Bracket					

### PRH-6101MS / PRH-6108MS



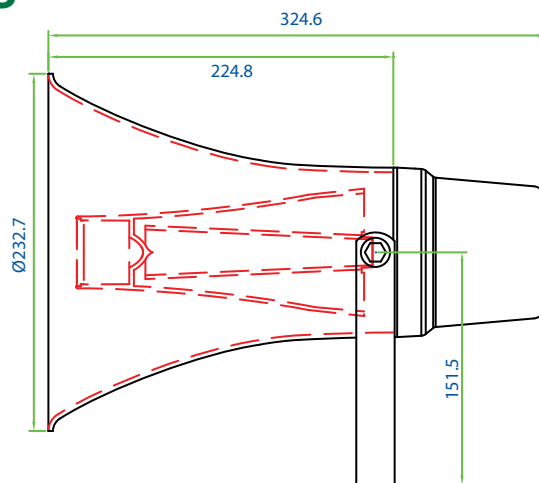
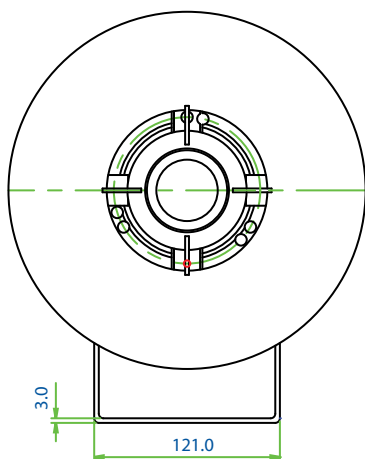
Unit: mm

### PRH-8151MS / PRH-8158MS



Unit: mm

### PRH-10301MS / PRH-10308MS



Unit: mm