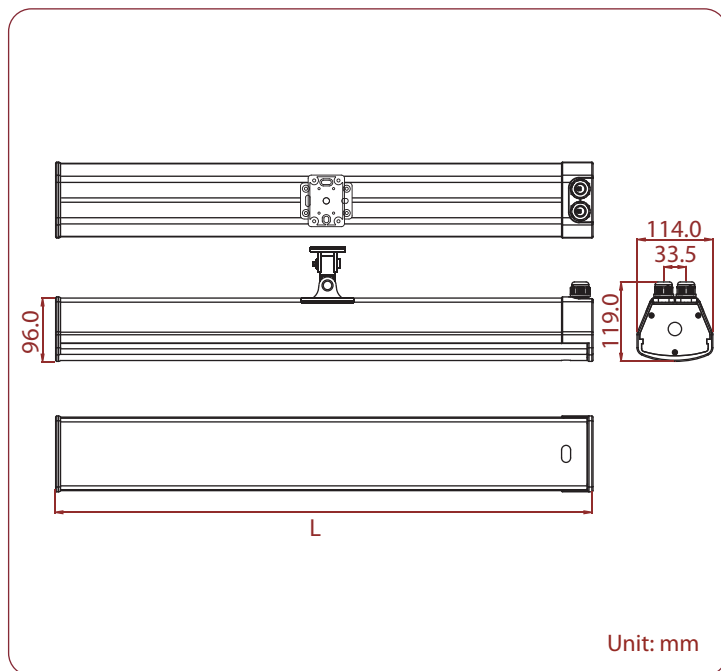




COS-VA Series Waterproof Column Loudspeaker

【 EN 54-24 】



Unit: mm

- 100 Hours Life Tested
- CE Certified (EMC & LVD)
- IP Rated
- RoHS Compliance
- UL94V0
- BS 5839 Part 8 & EN 60849
- EASE Data
- Multi-Bracket Broken Tested
- Rustproof
- Withstanding/Insulation Tested

- EN 54-24 certified. Certification No. 1438-CPD-0275
- Compliant with British Standard BS 5839 part 8 and EN 60849
- Rotary power selector
- Two cable entries to enable loop in loop out installation
- Ingress protected to IEC529 IP66, suitable for indoor and outdoor use
- Mounting plate is included for LLSB - Loudspeaker line supervision board (LLSB is not supplied)
- Durable extruded aluminium housing
- Durable aluminium alloy multi bracket broken tested up to 1500 kgf
- Finished in white (RAL 9003)



Model No.	COS-3100VA	COS-3200VA	COS-3300VA	COS-3400VA
Rated Power (rms)	10W	20W	30W	40W
Number of Loudspeakers	3.5" Woofer X 2 + 3.25" Tweeter X 1	3.5" Woofer X 4 + 3.25" Tweeter X 1	3.5" Woofer X 6 + 3.25" Tweeter X 1	3.5" Woofer X 8 + 3.25" Tweeter X 1
Impedance	500Ω, 1kΩ, 2kΩ, 4kΩ & 8kΩ	250Ω, 500Ω, 1kΩ, 2kΩ & 4kΩ	167Ω, 333Ω, 667Ω, 1.33kΩ & 2.67kΩ	125Ω, 250Ω, 500Ω, 1kΩ & 2kΩ
Power Taps @ 100V	10W, 5W, 2.5W & 1.25W	20W, 10W, 5W & 2.5W	30W, 15W, 7.5W & 3.75W	40W, 20W, 10W & 5W
Power Taps @ 70V	10W, 5W, 2.5W, 1.25W & 0.625W	20W, 10W, 5W, 2.5W & 1.25W	30W, 15W, 7.5W, 3.75W & 1.9W	40W, 20W, 10W, 5W & 2.5W
SPL (1W / 1m) @ 1kHz	91dB	92 dB	93 dB	93 dB
Max. SPL (Rated W / 1m) @ 1kHz	101 dB	105 dB	107dB	109 dB
Frequency Range (-10dB)	140 Hz ~ 20k Hz	140 Hz ~ 20k Hz	140 Hz ~ 20k Hz	140 Hz ~ 20k Hz
Dispersion 1k Hz / 4k Hz	H: 202° / 108°, V: 81° / 23°	H: 185° / 98°, V: 47° / 18°	H: 194° / 101°, V: 36° / 24°	H: 194° / 102°, V: 30° / 48°
Operating Temperature	-30°C ~ +60°C			
Ingress Protection	IEC 529 IP 66			
Power Selection	Selecting switch			
Material	Housing: Extruded aluminium, Grille: Aluminium			
Colour / Finish	White (RAL 9003)			
Dimensions	430.0 (16.92) L X 114.0 (4.49) W X 96.0 (3.78) D mm. (in.)	620.0 (24.40) L X 114.0 (4.49) W X 96.0 (3.78) D mm. (in.)	805.0 (31.69) L X 114.0 (4.49) W X 96.0 (3.78) D mm. (in.)	995.0 (39.17) L X 114.0 (4.49) W X 96.0 (3.78) D mm. (in.)
Net Weight (ea)	3.10 kg (6.82 lb.)	4.50 kg (9.90 lb.)	5.80 kg (12.76 lb.)	7.30 kg (16.06 lb.)
Mounting	Aluminium alloy multi bracket			

■ **Rated Power according to IEC 60268- 5 100 hours Power Handling Capacity standard**