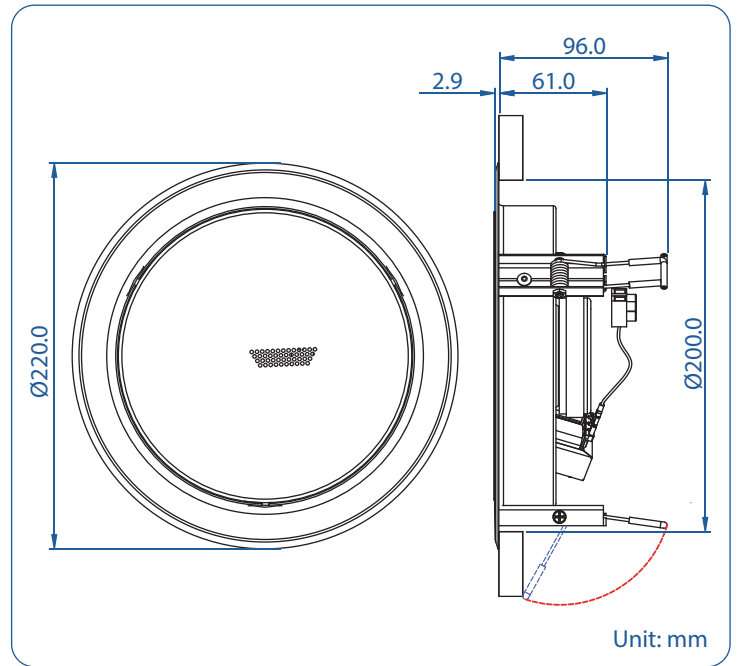




CLM-6061 Metal Ceiling Loudspeaker



- 100 Hours Life Tested
- CE Certified (EMC & LVD)
- IP Rated
- Rustproof
- UL94V0
- BS 5839 Part 8
- EASE Data
- RoHS Compliance
- UV Stable
- Withstanding/Insulation Tested

- Quick spring clips for easy installation
- Low profile grille design
- Ideal for shallow ceiling voids
- Fitted with a twin cone driver unit
- Designed to offer a wide response for music & speech
- Finished in white

Model No.	CLM-6061
Rated Power (rms)	6W
Impedance	1.67kΩ, 3.33kΩ & 6.67kΩ
Power Taps @ 100V	6W, 3W & 1.5W
Power Taps @ 70V	3W, 1.5W & 0.75W
SPL (1W / 1m)	94dB
Max. SPL (Rated W / 1m)	102dB
Frequency Range (-10dB)	85 Hz ~ 20k Hz
Dispersion 1k Hz / 4k Hz	125°/70°
Operating Temperature	-30°C ~ +60°C
Power Selection	Plug
Material	Baffle: Steel, Grille: Steel
Colour / Finish	White
Dimensions	220.0 (8.66) Dia. X 96.0 (3.77) Height mm. (in.)
Cutout Size	200.0 (7.87) Dia. mm. (in.)
Net Weight (ea)	1.20 kg (2.64 lb.)
Mounting	Quick spring clips