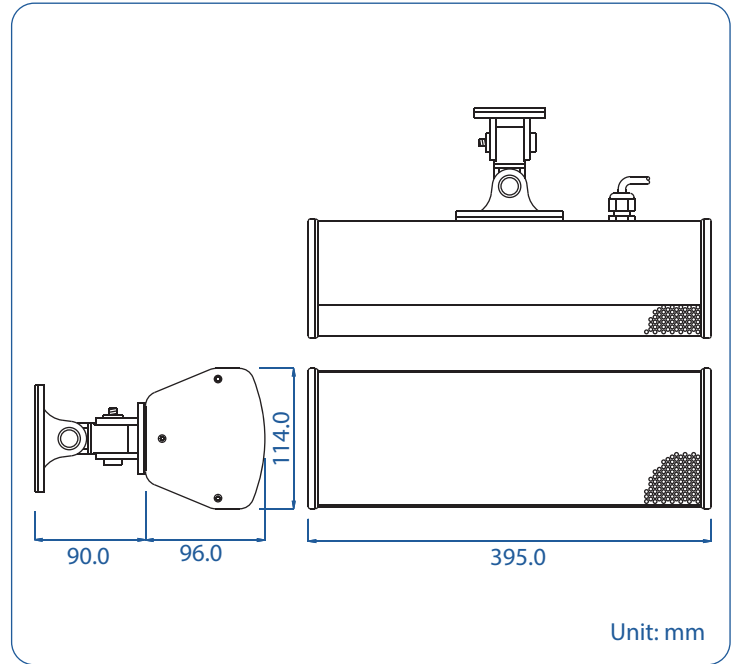




COS-3100

Waterproof Column Loudspeaker



Unit: mm

- 100 Hours Life Tested
- CE Certified (EMC & LVD)
- IP Rated
- RoHS Compliance
- UL94V0
- BS 5839 Part 8
- EASE Data
- Multi-Bracket Broken Tested
- Rustproof
- Withstanding/Insulation Tested

- Ingress protected to IEC 529 IP 66, suitable for indoor and outdoor use
- Durable aluminium alloy multi bracket broken tested up to 1500 kgf
- Fitted with high specification driver units / tweeter for exceptional speech & music reproduction
- Suitable for accurate, "long throw" applications
- Durable extruded aluminium housing
- Attractive slimline construction
- Available in 10 watt
- Finished in white

Model No.	COS-3100
Rated Power (rms)	10W
Number of Loudspeakers	3.5" Woofer X 2 + 3.25" Tweeter X 1
Impedance	500Ω, 1kΩ, 2kΩ, 4kΩ & 8kΩ
Power Taps @ 100V	10W, 5W, 2.5W & 1.25W
Power Taps @ 70V	10W, 5W, 2.5W, 1.25W & 0.625W
SPL (1W / 1m)	91dB
Max. SPL (Rated W / 1m)	101dB
Frequency Range (-10dB)	130 Hz ~ 20k Hz
Dispersion 1k Hz / 4k Hz	H: 180° / 100°, V: 75° / 30°
Operating Temperature	-40°C ~ +60°C
Ingress Protection	IEC 529 IP 66
Power Selection	6 - core cable
Material	Housing: Extruded aluminium, Grille: Aluminium
Colour / Finish	White
Dimensions	395.0 (15.55) L X 114.0 (4.49) W X 96.0 (3.78) D mm. (in.)
Net Weight (ea)	2.80 kg (6.17 lb.)
Mounting	Aluminium alloy multi bracket