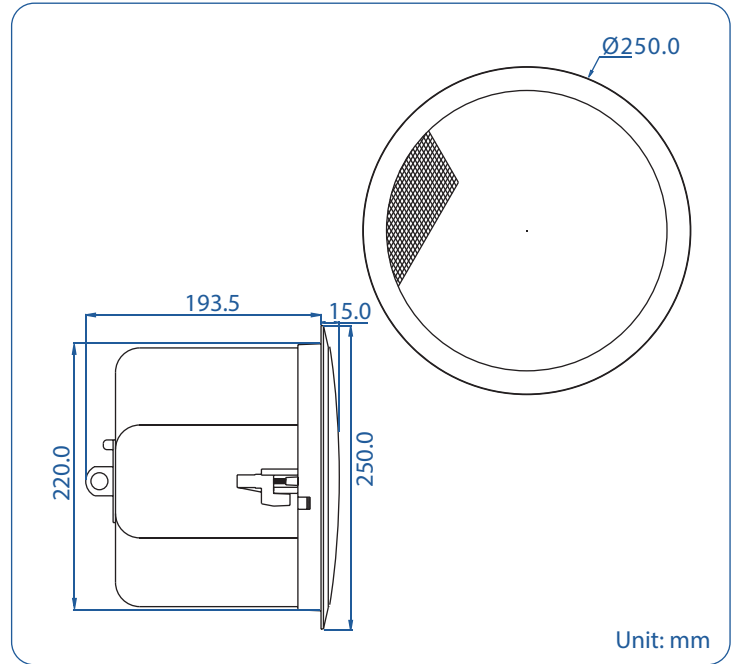




CSB-6300

Bass Reflex 2-Way Ceiling Loudspeaker



Unit: mm

- 100 Hours Life Tested
- CE Certified (EMC & LVD)
- IP Rated
- Rustproof
- UL94V0
- BS 5839 Part 8
- EASE Data
- RoHS Compliance
- UV Stable
- Withstanding/Insulation Tested

- Very high quality 6.5" 2-way speaker, with a polypropylene cone, 13-ounce magnet
- Rotary power selector
- Fully rated for air handling spaces
- Bass reflex design
- Ported internally damped enclosure for extended bass response
- Designed for foreground / sound reinforcement installations
- Waveguide coupled 0.75" mylar dome tweeter
- Removable locking connector with screw-down terminals, 2 input terminals and 2 loop-thru output terminals
- Dished grille design for acoustic integrity
- Finished in white

Model No.	CSB-6300
Rated Power (rms)	30W
Impedance	333Ω, 667Ω, 1.33kΩ, 2.67kΩ & 8Ω
Power Taps @ 100V	30W, 15W, 7.5W, 3.75W & 8Ω
Power Taps @ 70V	15W, 7.5W, 3.75W, 1.9W & 8Ω
SPL (1W / 1m)	89dB
Max. SPL (Rated W / 1m)	104dB
Frequency Range (-10dB)	75 Hz ~ 25k Hz
Dispersion 1k Hz / 4k Hz	140° / 75°
Operating Temperature	-30°C ~ +60°C
Power Selection	Selecting switch
Termination	Removable locking connector with screw-down terminals, 2 input terminals and 2 loop-thru output terminals
Material	Baffle: High impact ABS, Backcan: Steel
Colour / Finish	White
Dimensions	250.0 (9.84) Dia. X 208.5 (8.21) Height mm. (in.)
Cutout Size	220.0 (8.66) Dia. mm. (in.)
Net Weight (ea)	3.58 kg (7.89 lb.)
Mounting	Rotating mount tabs