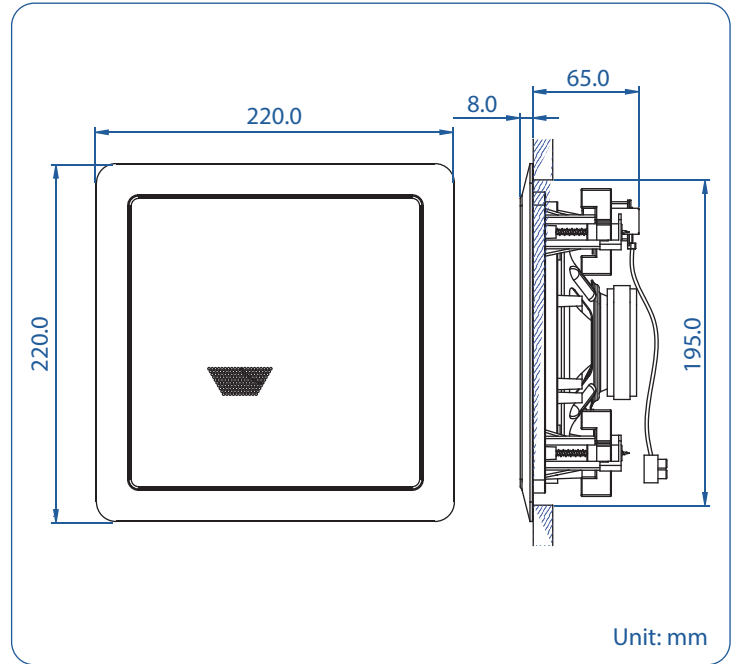




IWP-6061

In-Wall Plastic Loudspeaker



- 100 Hours Life Tested
- CE Certified (EMC & LVD)
- IP Rated
- Rustproof
- UL94V0
- BS 5839 Part 8
- EASE Data
- RoHS Compliance
- UV Stable
- Withstanding/Insulation Tested

- Low profile grille design
- Rotating mount tabs for easy installation
- Ideal for shallow ceiling voids
- Fitted with a twin cone driver unit
- Designed to offer a wide response for music & speech
- 6 watt transformer with multi tapings down to 1.5W (100V) & 0.75W (70V)
- High impact ABS grille
- Finished in white

Model No.	IWP-6061
Rated Power (rms)	6W
Impedance	1.67kΩ, 3.33kΩ & 6.67kΩ
Power Taps @ 100V	6W, 3W & 1.5W
Power Taps @ 70V	3W, 1.5W & 0.75W
SPL (1W / 1m)	93dB
Max. SPL (Rated W / 1m)	100dB
Frequency Range (-10dB)	100 Hz ~ 20k Hz
Dispersion 1k Hz / 4k Hz	125°/100°
Ambient Temperature	-30°C ~ +60°C
Power Selection	Plug
Material	Baffle: High impact ABS
Colour / Finish	White
Dimensions	220.0 (8.66) X 220.0 (8.66) X 73.0 (2.87) mm. (in.)
Cutout Size	195.0 (7.67) Dia. mm. (in.)
Net Weight (ea)	1.11 kg (2.44 lb.)
Mounting	Rotating mount tabs