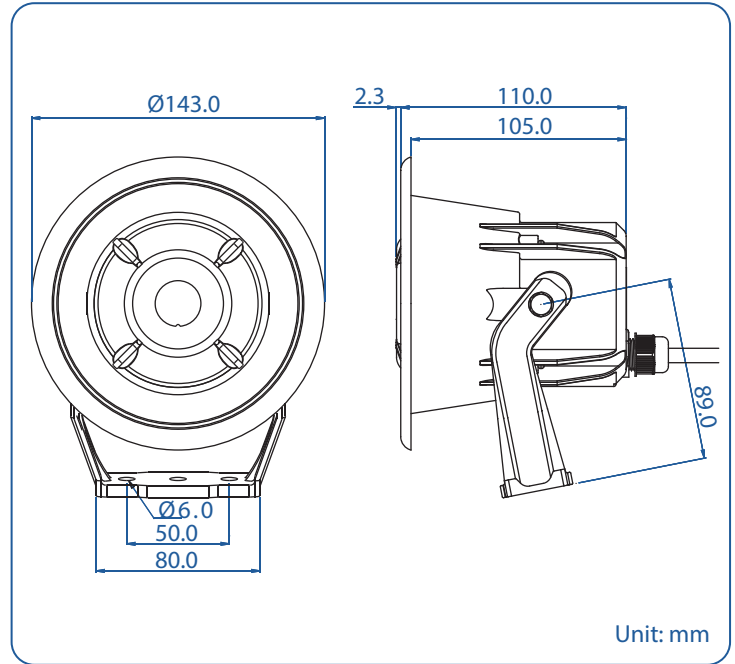




MID-5121 Marine Horn Loudspeaker



- CE Certified (EMC & LVD)
- IP Rated
- Rustproof
- UL94
- Withstanding/Insulation Tested
- BS 5839 Part 8
- EASE Data
- RoHS Compliance
- UV Stable

- **Ingress protected to IEC 529 IP 67**
- **Rustproof stainless steel exterior hardware**
- UV stable
- Very high efficiency
- Bracket or recessed mounted for ceiling or wall
- Finished in grey

Model No.	MID-5121
Rated Power (rms)	12W
Impedance	833 Ω , 1.67k Ω , 3.33k Ω , 6.67k Ω & 8 Ω
Power Taps @ 100V	12W, 6W, 3W, 1.5W & 8 Ω
Power Taps @ 70V	6W, 3W, 1.5W, 0.75W & 8 Ω
SPL (1W / 1m)	98dB
Max. SPL (Rated W / 1m)	109dB
Frequency Range (-10dB)	570 Hz ~ 4.8k Hz
Frequency Range (-20dB)	510 Hz ~ 12k Hz
Dispersion 1k Hz / 4k Hz	185° / 45°
Operating Temperature	-40°C ~ +70°C
Ingress Protection	IEC 529 IP 67
Power Selection	6-core cable
Material	Housing: High impact ABS with UV stable
Colour / Finish	Grey
Dimensions	143.0 (5.63) Dia. X 110.0 (4.33) Length mm. (in.)
Cutout Size	110.0 (4.33) Dia mm. (in.)
Net Weight (ea)	1.00 kg (2.20 lb.)
Mounting	U Type bracket or screws