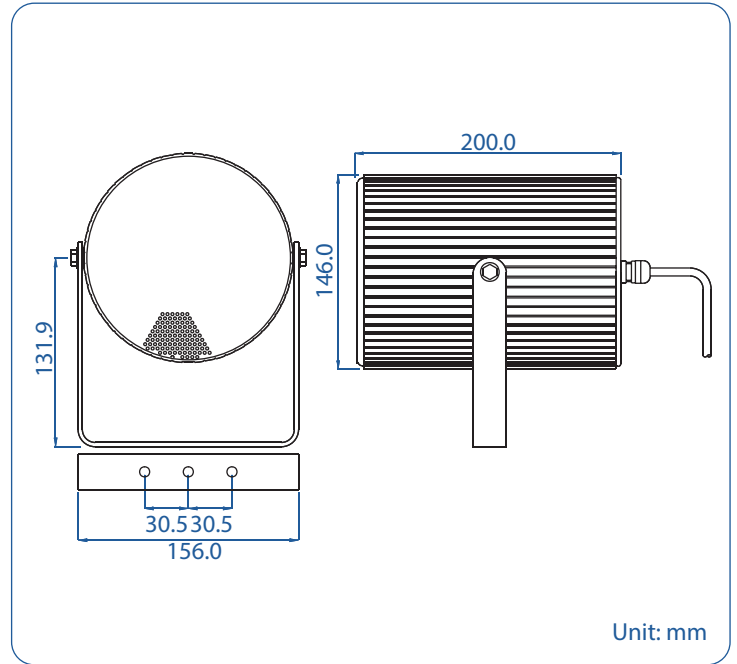




# MSP-5200 Metallic Sound Projector



- 100 Hours Life Tested
- CE Certified (EMC & LVD)
- IP Rated
- Rustproof
- UL94V0
- BS 5839 Part 8
- EASE Data
- RoHS Compliance
- UV Stable
- Withstanding/Insulation Tested

- Ingress protected to IEC 529 IP 66
- Rugged extruded aluminium housing
- Ideal for music and speech applications
- Designed to give controlled directional sound characteristics
- Can be ceiling or wall mounted
- Finished in white

Model No.	MSP-5200
Rated Power (rms)	20W
Impedance	250Ω, 500Ω, 1kΩ, 2kΩ & 4kΩ
Power Taps @ 100V	20W, 10W, 5W & 2.5W
Power Taps @ 70V	20W, 10W, 5W, 2.5W & 1.25W
SPL (1W / 1m)	91dB
Max. SPL (Rated W / 1m)	104dB
Frequency Range (-10dB)	150 Hz ~ 20k Hz
Dispersion 1k Hz / 4k Hz	230° / 65°
Operating Temperature	- 40°C ~ +70°C
Ingress Protection	IEC 529 IP 66
Power Selection	6 - core cable
Material	Housing & Bracket: Extruded aluminium, Grille: Aluminium
Colour / Finish	White
Dimensions	146.0 (5.75) Dia. X 200.0 (7.87) L mm. (in.)
Net Weight (ea)	2.50 kg (5.51 lb.)
Mounting	U Type aluminium bracket