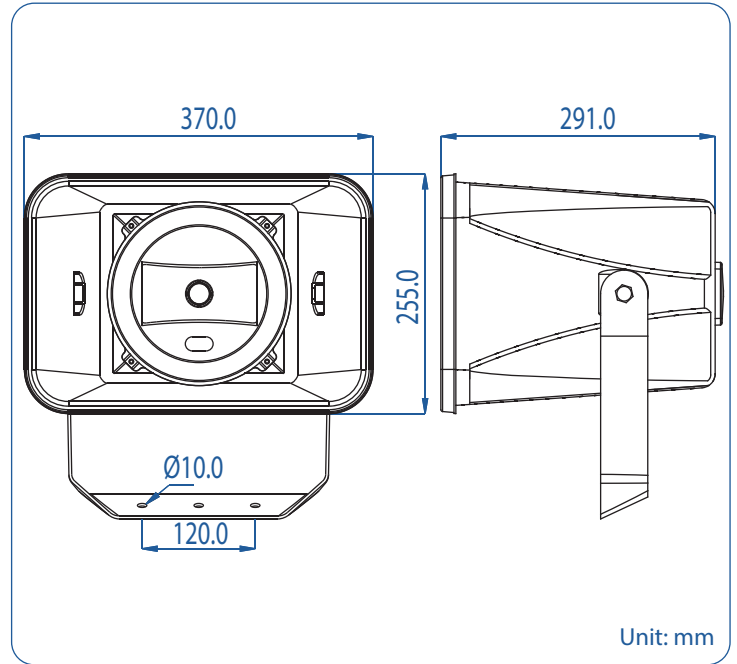




# MUH-6300 Music Horn Loudspeaker



- 100 Hours Life Tested
- CE Certified (EMC & LVD)
- IP Rated
- Rustproof
- UL94V0
- BS 5839 Part 8
- EASE Data
- RoHS Compliance
- UV Stable
- Withstanding/Insulation Tested

Engineered to provide the highest quality voice and music reproduction for both indoor and outdoor applications where long throw, large area coverage is desired in harsh environments. Ideal for applications such as sports stadiums, cruise liners, school yards, municipal swimming pools, high ambient industrial areas and leisure / theme parks

- **Trunion extruded aluminium bracket with stainless mounting screws**
- **Ingress protected to IEC 529 IP 66**
- Available in 30 watt
- UV stable for years of outdoor use
- Two-way capabilities for security / monitoring applications
- Finished in grey

| Model No.                | MUH-6300  |
|--------------------------|---|
| Rated Power (rms)        | 30W   |
| Impedance                | 167Ω, 333Ω, 667Ω, 1.33kΩ & 2.67kΩ                             |
| Power Taps @ 100V        | 30W, 15W, 7.5W & 3.75W  |
| Power Taps @ 70V         | 30W, 15W, 7.5W, 3.75W & 1.9W                                  |
| SPL (1W / 1m)            | 97dB  |
| Max. SPL (Rated W / 1m)  | 113dB   |
| Frequency Range (-10dB)  | 100 Hz ~20k Hz  |
| Frequency Range (-20dB)  | 92 Hz ~ 20k Hz  |
| Dispersion 1k Hz / 4k Hz | 85° / 45°   |
| Operating Temperature    | -30°C ~ +60°C   |
| Ingress Protection       | IEC 529 IP 66   |
| Power Selection          | Terminal Block  |
| Material                 | Housing : High impact ABS with UV stable                      |
| Colour / Finish          | Grey  |
| Dimensions               | 370.0 (14.57) X 255.0 (10.04) X 291.0 (11.46) Length mm (in.) |
| Net Weight (ea)          | 4.60 kg (10.12 lb.)   |
| Mounting                 | U Type aluminium bracket                                      |