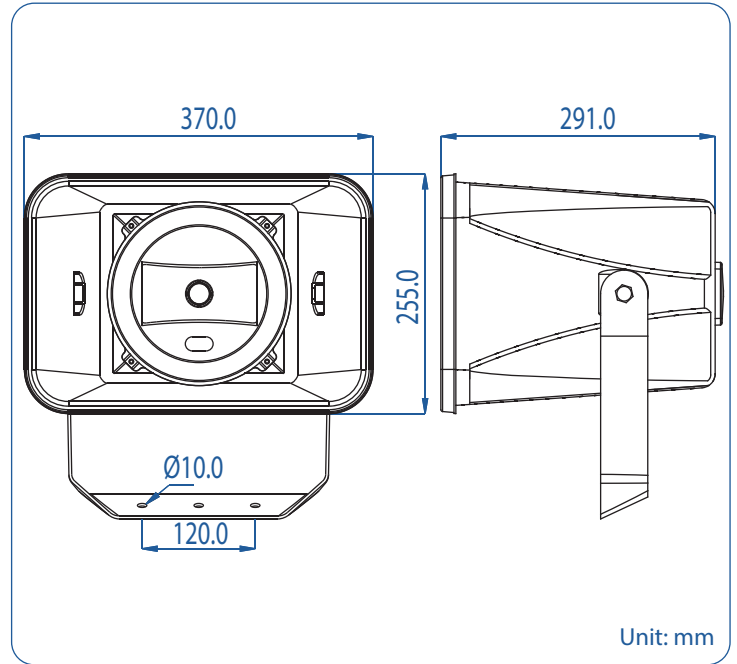




# MUH-6600 Music Horn Loudspeaker



- 100 Hours Life Tested
- CE Certified (EMC & LVD)
- IP Rated
- Rustproof
- UL94V0
- BS 5839 Part 8
- EASE Data
- RoHS Compliance
- UV Stable
- Withstanding/Insulation Tested

Engineered to provide the highest quality voice and music reproduction for both indoor and outdoor applications where long throw, large area coverage is desired in harsh environments. Ideal for applications such as sports stadiums, cruise liners, school yards, municipal swimming pools, high ambient industrial areas and leisure / theme parks

- **Trunion extruded aluminium bracket with stainless mounting screws**
- **Ingress protected to IEC 529 IP 66**
- Available in 60 watt
- UV stable for years of outdoor use
- Two-way capabilities for security / monitoring applications
- Finished in grey

Model No.	MUH-6600
Rated Power (rms)	60W
Impedance	83Ω, 167Ω, 333Ω, 667Ω & 1.33kΩ
Power Taps @ 100V	60W, 30W, 15W & 7.5W
Power Taps @ 70V	60W, 30W, 15W, 7.5W & 3.75W
SPL (1W / 1m)	102dB
Max. SPL (Rated W / 1m)	120dB
Frequency Range (-10dB)	220 Hz ~20k Hz
Frequency Range (-20dB)	110 Hz ~ 20k Hz
Dispersion 1k Hz / 4k Hz	70° / 45°
Operating Temperature	-30°C ~ +60°C
Ingress Protection	IEC 529 IP 66
Power Selection	Terminal Block
Material	Housing : High impact ABS with UV stable
Colour / Finish	Grey
Dimensions	370.0 (14.57) X 255.0 (10.04) X 291.0 (11.46) Length mm (in.)
Net Weight (ea)	5.42 kg (11.92 lb.)
Mounting	U Type aluminium bracket