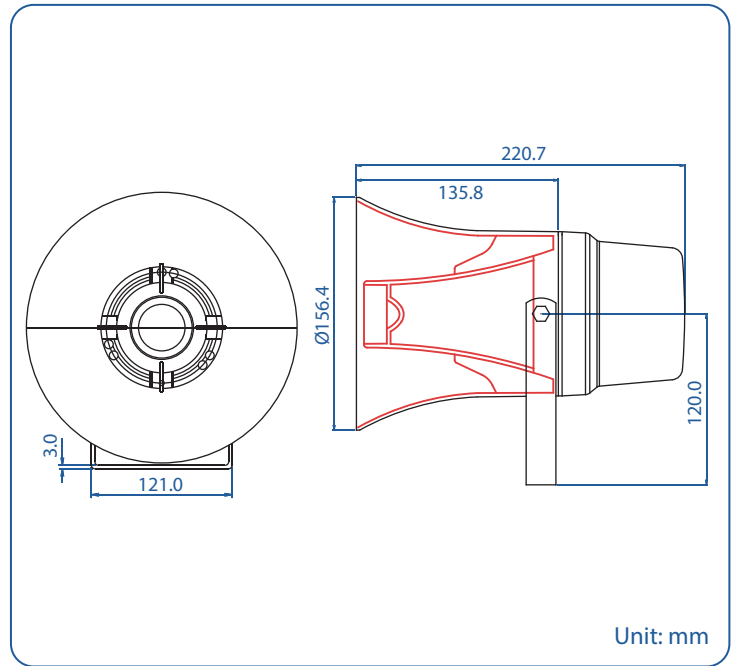




PRH-6101/8 Plastic Horn Loudspeaker



- 100 Hours Life Tested
- CE Certified (EMC & LVD)
- IP Rated
- Rustproof
- UL94V0
- BS 5839 Part 8
- EASE Data
- RoHS Compliance
- UV Stable
- Withstanding/Insulation Tested

- Ingress protected to IEC 529 IP 66
- Built-in line transformer with screwdriver adjustable power selector (sealed)
- Stainless steel mounting bracket & exterior hardware
- Rotary power selector
- Very high efficiency
- High impact ABS construction
- Glanded cable tails
- Finished in grey

Model No.	PRH-6101/8
Rated Power (rms)	10W
Impedance	1kΩ, 2kΩ, 4kΩ, 8kΩ, OFF & 8Ω
Power Taps @ 100V	10W, 5W, 2.5W, 1.25W, OFF & 8Ω
Power Taps @ 70V	5W, 2.5W, 1.25W, 0.625W, OFF & 8Ω
SPL (1W / 1m)	106dB
Max. SPL (Rated W / 1m)	116dB
Frequency Range (-10dB)	380 Hz ~ 9k Hz
Frequency Range (-20dB)	340 Hz ~ 11k Hz
Dispersion 1k Hz / 4k Hz	210° / 45°
Operating Temperature	-30°C ~ +60°C
Ingress Protection	IEC 529 IP 66
Power Selection	Selecting switch
Material	Housing: High impact ABS
Colour / Finish	Grey
Dimensions	156.4 (6.15) Dia. X 220.7 (8.67) Length mm. (in.)
Net Weight (ea)	1.54 kg (3.40 lb.)
Mounting	U Type stainless steel bracket