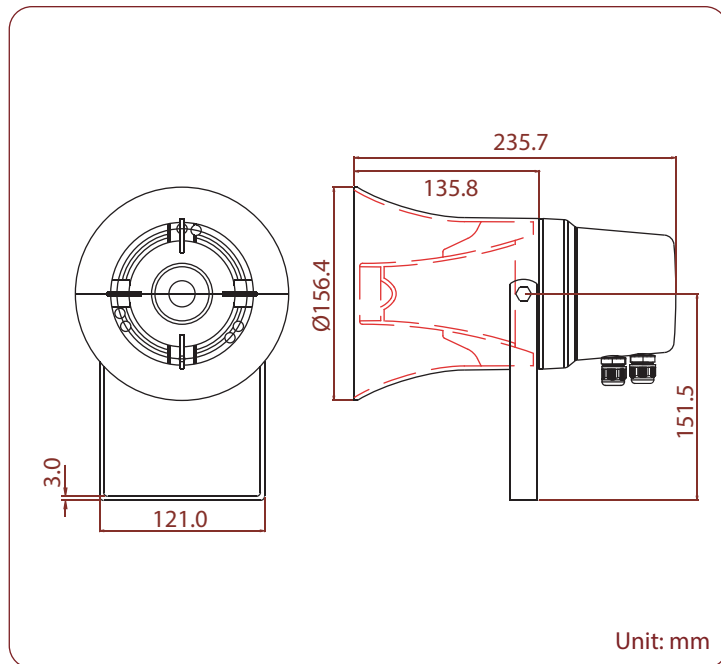




# PRH-6101/8VA Plastic Horn Loudspeaker

【Voice Alarm】



- 100 Hours Life Tested
- CE Certified (EMC & LVD)
- IP Rated
- Rustproof
- UL94V0
- BS 5839 Part 8 & EN 60849
- EASE Data
- RoHS Compliance
- UV Stable
- Withstanding/Insulation Tested

- Compliant with British Standard BS 5839 part 8 and EN 60849
- Ingress protected to IEC 529 IP 66
- Two cable entries to enable loop in loop out installation
- Stainless steel mounting bracket & exterior hardware
- High impact ABS construction
- Very high efficiency
- Finished in grey

Model No.	PRH-6101/8VA
Rated Power (rms)	10W
Impedance	1kΩ, 2kΩ, 4kΩ & 8kΩ
Power Taps @ 100V	10W, 5W, 2.5W & 1.25W
Power Taps @ 70V	5W, 2.5W, 1.25W & 0.625W
SPL (1W / 1m)	106dB
Max. SPL (Rated W / 1m)	116dB
Frequency Range (-10dB)	380 Hz ~ 9k Hz
Frequency Range (-20dB)	340 Hz ~ 11k Hz
Dispersion 1k Hz / 4k Hz	210° / 45°
Operating Temperature	-30°C ~ +60°C
Ingress Protection	IEC 529 IP 66
Power Selection	Plug
Material	Housing: UL94V0 high impact ABS
Colour / Finish	Grey
Dimensions	156.4(6.15) Dia. X 235.7 (9.3) Length mm. (in.)
Net Weight (ea)	1.54 kg (3.4 lb.)
Mounting	U Type stainless steel bracket