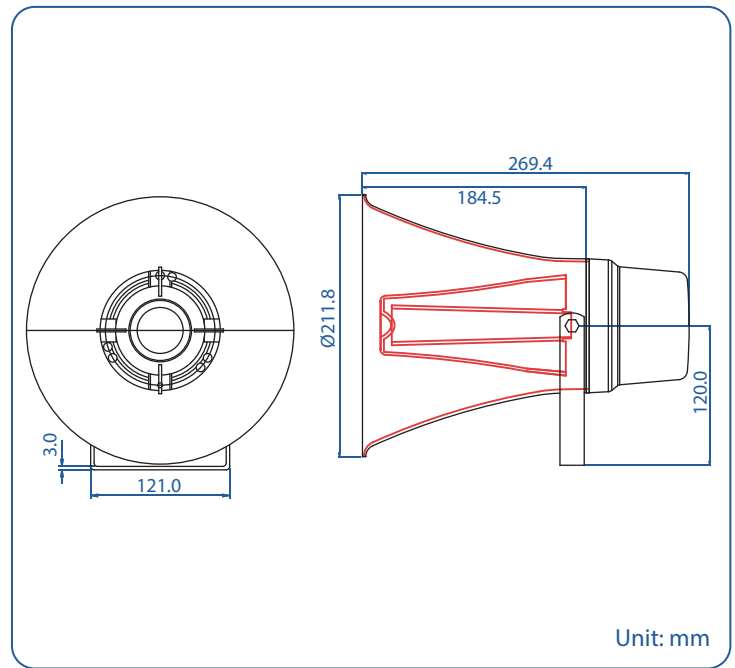




PRH-8151/8 Plastic Horn Loudspeaker



- 100 Hours Life Tested
- CE Certified (EMC & LVD)
- IP Rated
- Rustproof
- UL94V0
- BS 5839 Part 8
- EASE Data
- RoHS Compliance
- UV Stable
- Withstanding/Insulation Tested

- Ingress protected to IEC 529 IP 66
- Built-in line transformer with screwdriver adjustable power selector (sealed)
- Stainless steel mounting bracket & exterior hardware
- Rotary power selector
- Very high efficiency
- High impact ABS construction
- Glanded cable tails
- Finished in grey

Model No.	PRH-8151/8
Rated Power (rms)	15W
Impedance	667Ω, 1.33kΩ, 2.67kΩ, 5.33kΩ, OFF & 8Ω
Power Taps @ 100V	15W, 7.5W, 3.75W, 1.87W, OFF & 8Ω
Power Taps @ 70V	7.5W, 3.75W, 1.87W, 0.94W, OFF & 8Ω
SPL (1W / 1m)	108dB
Max. SPL (Rated W / 1m)	120dB
Frequency Range (-10dB)	460 Hz ~ 9k Hz
Frequency Range (-20dB)	300 Hz ~ 11k Hz
Dispersion 1k Hz / 4k Hz	120° / 30°
Operating Temperature	-30°C ~ +60°C
Ingress Protection	IEC 529 IP 66
Power Selection	Selecting switch
Material	Housing: High impact ABS
Colour / Finish	Grey
Dimensions	211.8 (8.33) Dia. X 269.4 (10.60) Length mm. (in.)
Net Weight (ea)	1.74 kg (3.84 lb.)
Mounting	U Type stainless steel bracket