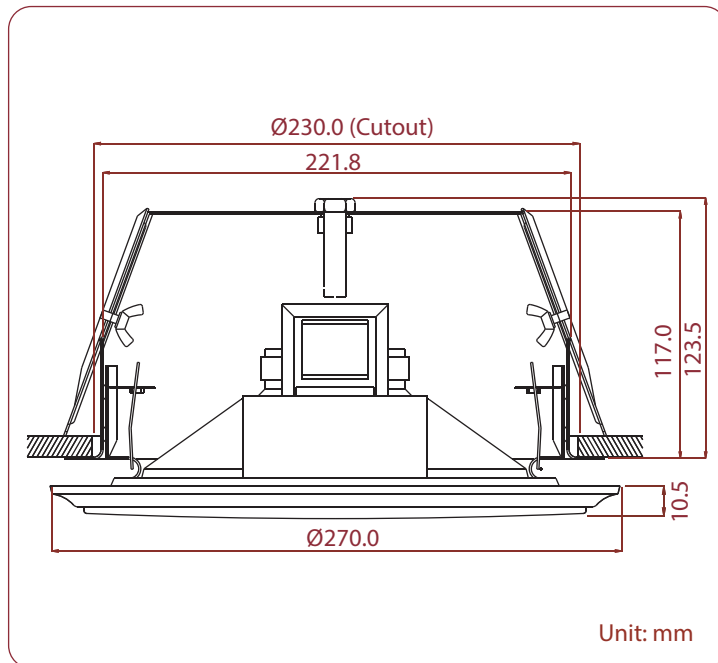




QCM208010

Quick-Mount Ceiling Loudspeaker

【 EN 54-24 】



- 100 Hours Life Tested
- CE Certified (EMC & LVD)
- IP Rated
- Rustproof
- UL94V0
- BS 5839 Part 8 & EN 60849
- EASE Data
- RoHS Compliance
- UV Stable
- Withstanding/Insulation Tested

- **Compliant with EN 54-24**
- **Compliant with British Standard BS 5839 part 8 and EN 60849**
- **Patented fire dome enables install time to be reduced**
- **Two cable entries to enable loop in loop out installation**
- **Mild steel construction capable of withstanding temperature of 650°C**
- **Excellent low frequency response**
- **Fitted with an 8" twin cone driver unit Designed to offer wide response for music & speech**
- **Designed to wide response for music & speech**
- **Finished in white**

Model No.	QCM208010
Rated Power (rms)	10W
Impedance	1.25kΩ, 2.50kΩ, 5kΩ & 10kΩ
Power Taps @ 100V	10W, 5W, 2.5W & 1.25W
Power Taps @ 70V	5W, 2.5W, 1.25W & 0.625W
SPL (1W / 1m)	92dB
Max. SPL (Rated W / 1m)	102dB
Frequency Range (-10dB)	190 Hz ~ 20k Hz
Dispersion 1k Hz / 4k Hz	125° / 59°
Operating Temperature	-30°C ~ +60°C
Operating Temperature - EN54-24	-10°C ~ +55°C
Ingress Protection - EN54-24	IP 21C
Power Selection	Plug
Material	Baffle: Steel, Grille: Steel
Colour / Finish	White
Dimensions	270.0 (10.63) Dia. X 134.0 (5.27) Height mm. (in.)
Cutout Size	230.0 (9.06) Dia. mm. (in.)
Net Weight (ea)	2.50 kg (5.50 lb.)
Mounting	Spring loaded Quick-Mount assembly