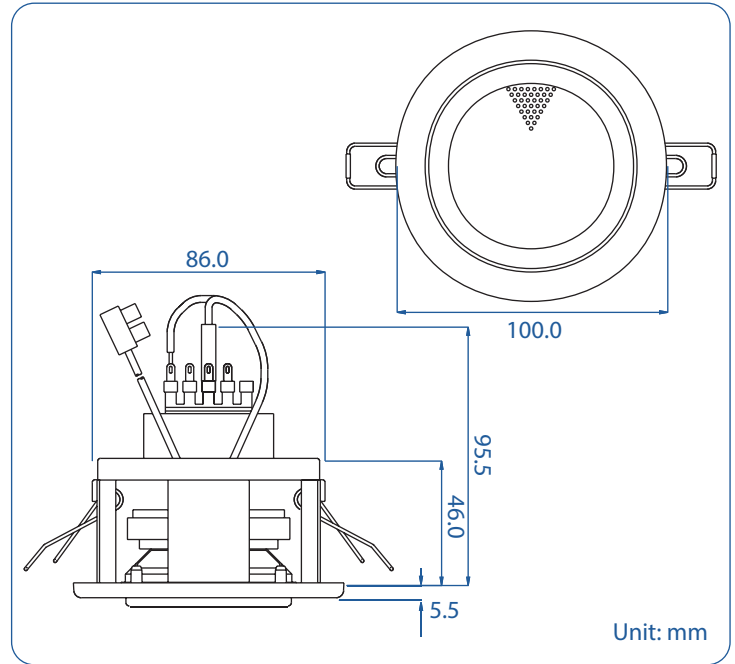




SLC-2060 Spotlight Ceiling Loudspeaker



- 100 Hours Life Tested
- CE Certified (EMC & LVD)
- IP Rated
- Rustproof
- UL94V0
- BS 5839 Part 8
- EASE Data
- RoHS Compliance
- UV Stable
- Withstanding/Insulation Tested

- Designed to look like ceiling spotlights
- Same size and fixing mechanism as spotlights
- **Remarkable sound quality from small unit**
- 2.5" full range driver unit
- Designed for unobtrusive installation

| Model No. | SLC-2060 |
|--------------------------|--------------------------------------------------|
| Rated Power (rms) | 6W |
| Impedance | 833Ω, 1.67kΩ, 3.33kΩ & 6.67kΩ |
| Power Taps @ 100V | 6W, 3W & 1.5W |
| Power Taps @ 70V | 6W, 3W, 1.5W & 0.75W |
| SPL (1W / 1m) | 86dB |
| Max. SPL (Rated W / 1m) | 93dB |
| Frequency Range (-10dB) | 150 Hz ~ 20k Hz |
| Dispersion 1k Hz / 4k Hz | 200° / 80° |
| Operating Temperature | -30°C ~ +60°C |
| Power Selection | Plug |
| Material | Baffle: ABS with fibre, Grille: Steel |
| Colour / Finish | White |
| Dimensions | 100.0 (3.94) Dia. X 95.5 (3.76) Height mm. (in.) |
| Cutout Size | 92.0 (3.62) Dia. mm. (in.) |
| Net Weight (ea) | 0.55 kg (1.21 lb.) |
| Mounting | Spring |