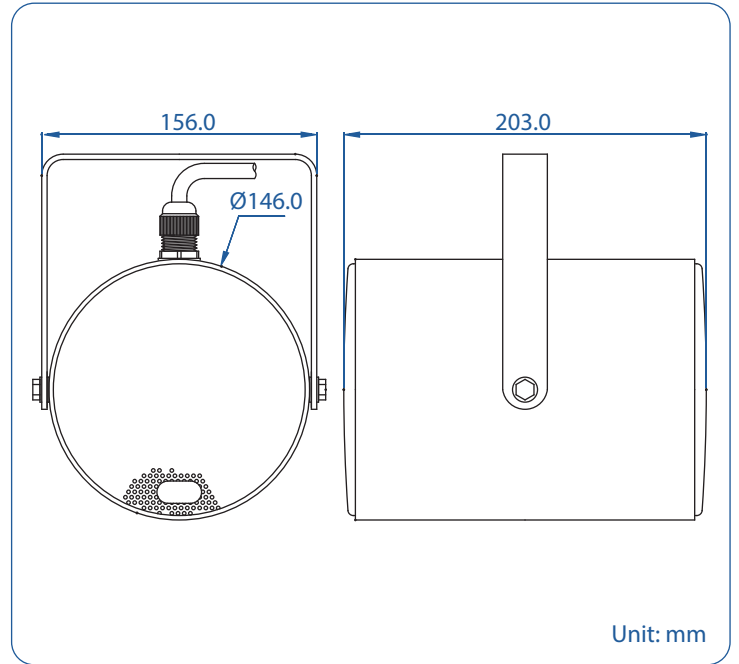




SOP-5200D Bi-Directional Sound Projector



- 100 Hours Life Tested
- CE Certified (EMC & LVD)
- IP Rated
- Rustproof
- UL94V0
- BS 5839 Part 8
- EASE Data
- RoHS Compliance
- UV Stable
- Withstanding/Insulation Tested

- **Ingress protected to IEC 529 IP 66**
- **High impact ABS housing with UV stable**
- Designed to give controlled directional sound characteristics
- Ideal for music and speech applications
- Bi-directional for Corridors, Walkways, Tunnels etc
- Finished in white

Model No.	SOP-5200D
Rated Power (rms)	20W
Impedance	250Ω, 500Ω, 1kΩ, 2kΩ & 4kΩ
Power Taps @ 100V	20W, 10W, 5W & 2.5W
Power Taps @ 70V	20W, 10W, 5W, 2.5W & 1.25W
SPL (1W / 1m)	86dB
Max. SPL (Rated W / 1m)	99dB
Frequency Range (-10dB)	120 Hz ~ 20k Hz
Dispersion 1k Hz / 4k Hz	75° : 75° / 50° : 50°
Operating Temperature	-30°C ~ +60°C
Ingress Protection	IEC 529 IP 66
Power Selection	6 - core cable
Material	Housing: High impact ABS, Grille: Aluminium
Colour / Finish	White
Dimensions	146.0 (5.75) Dia. X 203.0 (8.00) L mm. (in.)
Net Weight (ea)	2.20 kg (4.84 lb.)
Mounting	U Type aluminium bracket