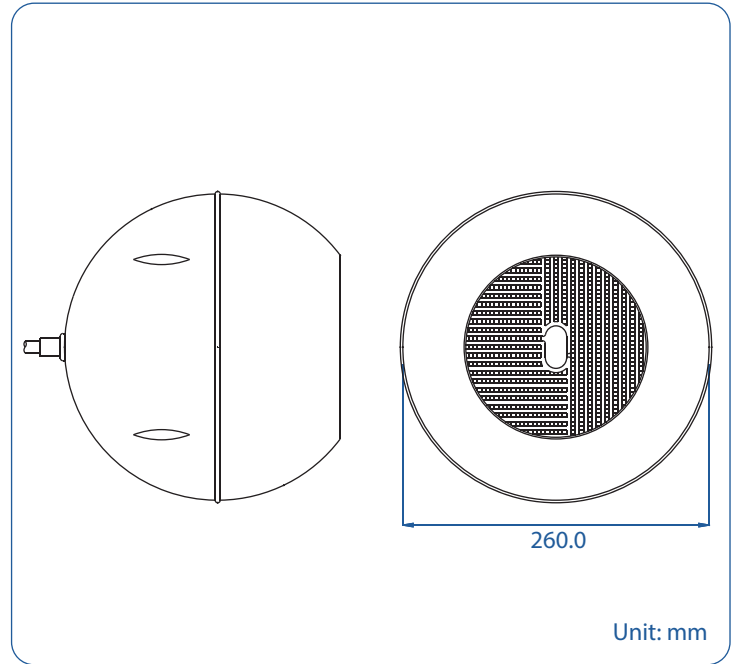




# SPS-6201PW

## Splash Waterproof Sphere Loudspeaker



- 100 Hours Life Tested
- EASE Data
- Pendant Cord Broken Tested
- Rustproof
- UL94V0
- CE Certified (EMC & LVD)
- IP Rated
- RoHS Compliance
- UV Stable
- Withstanding/Insulation Tested

- Power cord broken tested up to 48.35 kgf
- Ingress protected to IEC 529 IP 55
- Designed for wide area sound coverage
- High impact ABS housing with UV stable
- High performance driver units for music & speech applications
- Finished in white

Model No.	SPS-6201PW
Rated Power (rms)	20W
Impedance	500Ω, 667Ω, 1kΩ, 2kΩ & 8Ω
Power Taps @ 100V	20W, 15W, 10W, 5W & 8Ω
Power Taps @ 70V	10W, 7.5W, 5W, 2.5W & 8Ω
SPL (1W / 1m)	91dB
Max. SPL (Rated W / 1m)	104dB
Frequency Range (-10dB)	100 Hz ~ 20k Hz
Dispersion 1k Hz / 4k Hz	200° / 35°
Operating Temperature	-30°C ~ +60°C
Ingress Protection	IEC 529 IP 55
Power Selection	6 - core cable
Material	Housing: High impact ABS with UV stable
Colour / Finish	White
Dimensions	260.0 (10.24) Dia. mm. (in.)
Net Weight (ea)	2.20 kg (4.85 lb.)