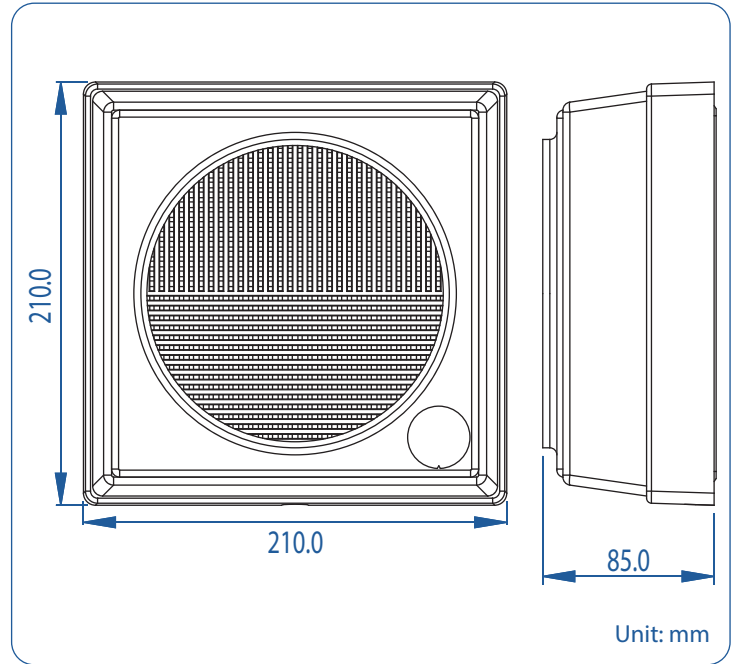




WAS-6061VP

Quick-Mount Wall Loudspeaker



- 100 Hours Life Tested
- CE Certified (EMC & LVD)
- IP Rated
- Rustproof
- UL94V0
- BS 5839 Part 8
- EASE Data
- RoHS Compliance
- UV Stable
- Withstanding/Insulation Tested

- **Fast installation of face plate**
- Secure fix system (using hex. socket screw)
- Rugged ABS cabinet
- Ideal for background music as well as public address announcements
- Available in 3 options:
 - WAS-6061
 - WAS-6061V with volume control
 - WAS-6061VP with volume control and priority override
- Finished in white

Model No.	WAS-6061VP
Rated Power (rms)	6W
Impedance	1.67kΩ, 3.33kΩ, 6.67kΩ, & 13.33kΩ
Power Taps @ 100V	6W, 3W, 1.5W & 0.75W
Power Taps @ 70V	3W, 1.5W, 0.75W & 0.375W
SPL (1W / 1m)	95dB
Max. SPL (Rated W / 1m)	102dB
Frequency Range (-10dB)	160 Hz ~ 20k Hz
Dispersion 1k Hz / 4k Hz	180° / 90°
Operating Temperature	-30°C ~ +60°C
Power Selection	Quick connector
Volume Control	Available
Priority	Available
Backplate	Standard accessory
Material	Housing: high impact ABS, Backplate: Aluminium
Colour / Finish	White
Dimensions	210.0 (8.27) X 210.0 (8.27) X 85.0 (3.35) mm. (in.)
Net Weight (ea)	1.30 kg (2.87 lb)
Mounting	Screws and Key-hole