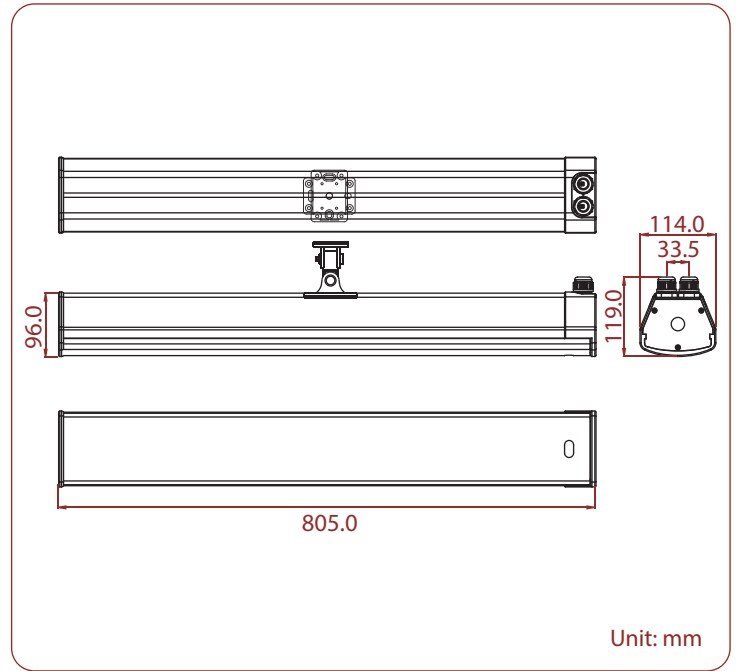




COS-3300VA

Waterproof Column Loudspeaker

【Voice Alarm】



Unit: mm

- 100 Hours Life Tested
- CE Certified (EMC & LVD)
- IP Rated
- RoHS Compliance
- UL94V0
- BS 5839 Part 8 & EN 60849
- EASE Data
- Multi-Bracket Broken Tested
- Rustproof
- Withstanding/Insulation Tested

- Compliant with British Standard BS 5839 part 8 and EN 60849
- Rotary power selector
- Two cable entries to enable loop in loop out installation
- Ingress protected to IEC 60529 IP 66, suitable for indoor and outdoor use
- Durable extruded aluminium housing
- Durable aluminium alloy multi bracket broken tested up to 1500 kgf
- Finished in white

Model No.	COS-3300VA
Rated Power (rms)	30W
Number of Loudspeakers	3.5" Woofer X 6 + 3.25" Tweeter X 1
Impedance	167Ω, 333Ω, 667Ω, 1.33kΩ & 2.67kΩ
Power Taps @ 100V	30W, 15W, 7.5W & 3.75W
Power Taps @ 70V	30W, 15W, 7.5W, 3.75W & 1.9W
SPL (1W / 1m)	93dB
Max. SPL (Rated W / 1m)	108dB
Frequency Range (-10dB)	110 Hz ~ 20k Hz
Dispersion 1k Hz / 4k Hz	H: 190°/ 90°, V: 40°/ 30°
Operating Temperature	-30°C ~ +60°C
Ingress Protection	IEC 60529 IP 66
Power Selection	Selecting Switch
Material	Housing: Extruded aluminium, Grille: Aluminium
Colour / Finish	White
Dimensions	805.0 (31.69) L X 114.0 (4.49) W X 96.0 (3.78) D mm. (in.)
Net Weight (ea)	5.80 kg (12.76 lb.)
Mounting	Aluminium alloy multi bracket