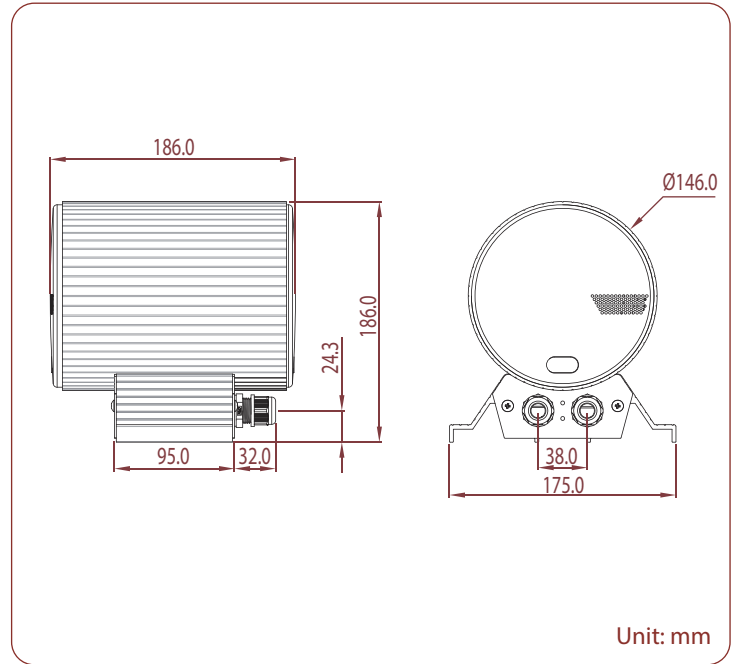
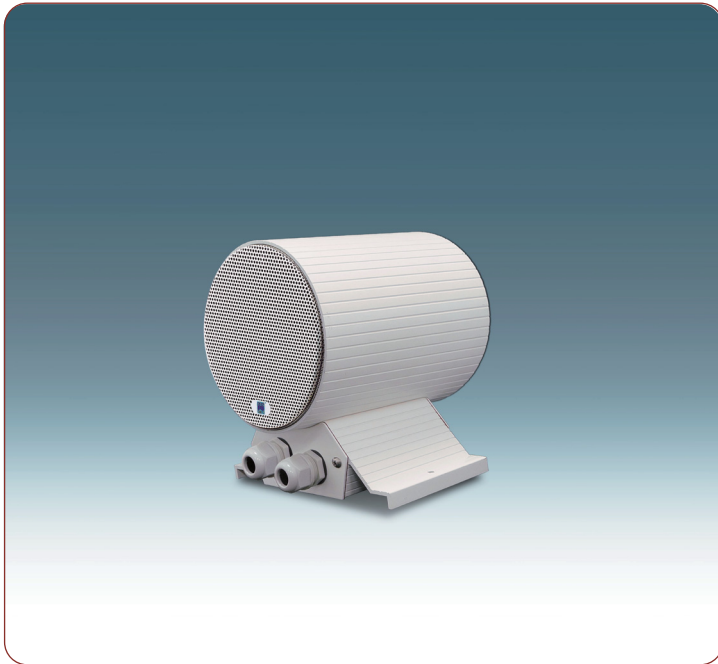




MBP205012

Metallic Bi-Directional Projector



- 100 Hours Life Tested
- CE Certified (EMC & LVD)
- IP Rated
- Rustproof
- UL94V0
- BS 5839 Part 8 & EN 60849
- EASE Data
- RoHS Compliance
- UV Stable
- Withstanding/Insulation Tested

- Compliant with EN 54-24
- Compliant with British Standard BS 5839 part 8 and EN 60849
- Two cable entries to enable loop in loop out installation
- Ingress protected to IEC 60529 IP 55
- Designed to give controlled directional sound characteristics
- Ideal for music and speech applications
- Bi-directional design - for Corridors, Walkways, Tunnels etc
- Inherently economical design
- Rugged extruded aluminium housing
- Can be ceiling or wall mounted
- Finished in white

Model No.	MBP205012
Rated Power (rms)	12W
Impedance	417Ω, 833Ω, 1.67kΩ, 3.33kΩ
Power Taps @ 100V	12W, 6W, 3W
Power Taps @ 70V	12W, 6W, 3W, 1.5W
SPL (1W / 1m)	91 dB
Sensitivity (1W / 4m) - EN54-24	77 dB
Frequency Range (-10dB)	150 Hz ~ 20k Hz
Dispersion 1k Hz / 4k Hz	190° / 80°
Operating Temperature	-20°C ~ +70°C
Operating Temperature - EN54-24	-40°C ~ +70°C
Ingress Protection	IEC 60529 IP 55
Ingress Protection - EN54-24	IP 33C
Power Selection	Ceramic terminal block
Material	Housing & Bracket: Extruded aluminium, Grille: Aluminium
Colour / Finish	White
Dimensions	146.0 (5.75) Dia. X 186.0 (7.32) L mm. (in.)
Net Weight (ea)	3.30 kg (7.26 lb.)
Mounting	Extruded aluminium bracket