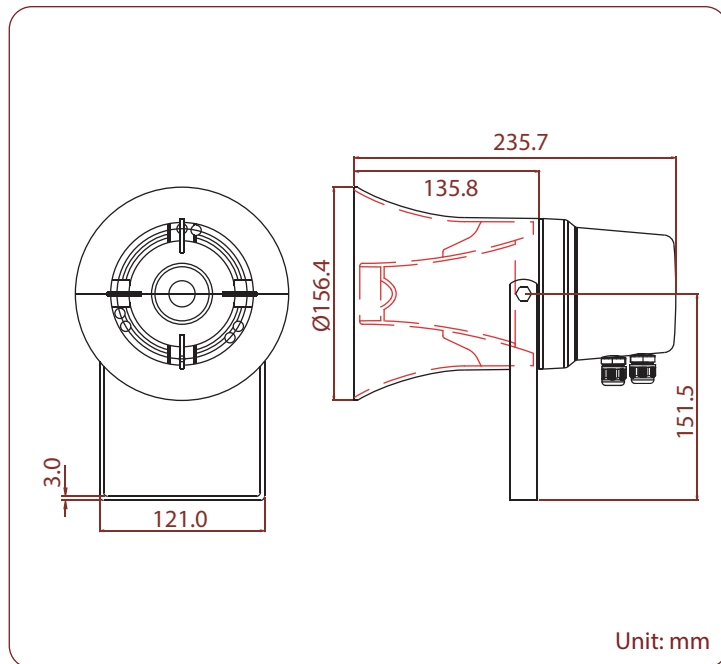




PRH206010 Plastic Horn Loudspeaker

【 EN 54-24 】



- 100 Hours Life Tested
- CE Certified (EMC & LVD)
- IP Rated
- Rustproof
- UL94V0
- BS 5839 Part 8 & EN 60849
- EASE Data
- RoHS Compliance
- UV Stable
- Withstanding/Insulation Tested

- Compliant with EN 54-24
- Compliant with British Standard BS 5839 part 8 and EN 60849
- Ingress protected to IEC 60529 IP 66
- Two cable entries to enable loop in loop out installation
- Stainless steel mounting bracket & exterior hardware
- High impact ABS construction
- Very high efficiency
- Finished in grey

Model No.	PRH206010
Rated Power (rms)	10W
Impedance	500Ω, 1kΩ, 2kΩ & 4kΩ
Power Taps @ 100V	10W, 5W, 2.5W
Power Taps @ 70V	10W, 5W, 2.5W, 1.25W
SPL (1W / 1m)	106dB
Sensitivity (1W / 4m) - EN54-24	86dB
Frequency Range (-10dB)	400 Hz ~ 10k Hz
Dispersion 1k Hz / 4k Hz	90° / 35°
Operating Temperature	-40°C ~ +70°C
Operating Temperature - EN54-24	-25°C ~ +70°C
Ingress Protection	IEC60529 IP 66
Ingress Protection - EN54-24	IP 33C
Power Selection	Plug
Material	Housing: UL94V0 high impact ABS
Colour / Finish	Grey
Dimensions	156.4(6.15) Dia. X 235.7 (9.3) Length mm. (in.)
Net Weight (ea)	1.54 kg (3.4 lb.)
Mounting	U Type stainless steel bracket