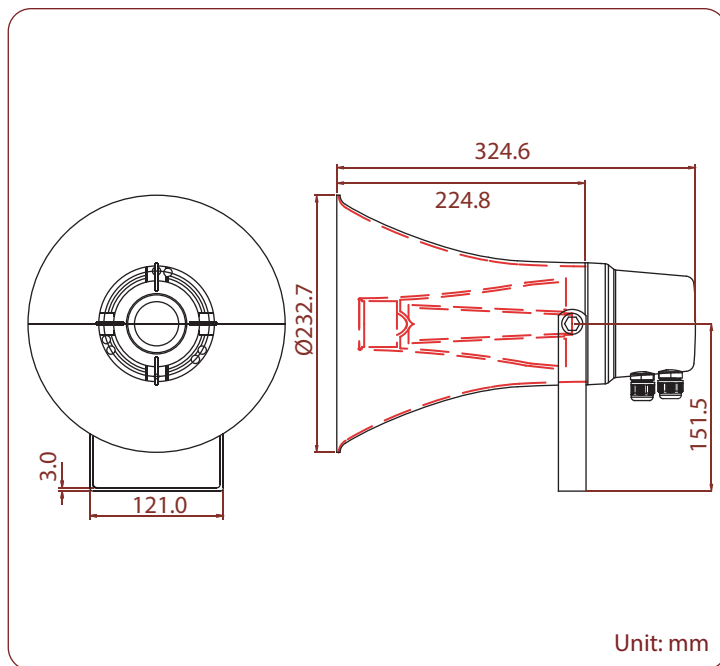




PRH210030 Plastic Horn Loudspeaker

【 EN 54-24 】



- 100 Hours Life Tested
- CE Certified (EMC & LVD)
- IP Rated
- Rustproof
- UL94V0
- BS 5839 Part 8 & EN 60849
- EASE Data
- RoHS Compliance
- UV Stable
- Withstanding/Insulation Tested

- **Compliant with EN 54-24**
- **Compliant with British Standard BS 5839 part 8 and EN 60849**
- **Ingress protected to IEC 60529 IP 66**
- **Two cable entries to enable loop in loop out installation**
- **Stainless steel mounting bracket & exterior hardware**
- **High impact ABS construction**
- **Very high efficiency**
- **Finished in grey**

Model No.	PRH210030
Rated Power (rms)	30W
Impedance	167Ω, 333Ω, 667Ω & 1.33kΩ
Power Taps @ 100V	30W, 15W, 7.5W
Power Taps @ 70V	30W, 15W, 7.5W, 3.75W
SPL (1W / 1m)	110dB
Sensitivity (1W / 4m) - EN54-24	88dB
Frequency Range (-10dB)	410 Hz ~ 10k Hz
Dispersion 1k Hz / 4k Hz	95° / 35°
Operating Temperature	-40°C ~ +70°C
Operating Temperature - EN54-24	-25°C ~ +70°C
Ingress Protection	IEC60529 IP 66
Ingress Protection - EN54-24	IP 33C
Power Selection	Plug
Material	Housing: UL94V0 high impact ABS
Colour / Finish	Grey
Dimensions	232.7(9.16) Dia. X 324.6 (12.8) Length mm. (in.)
Net Weight (ea)	2.11 kg (4.65 lb.)
Mounting	U Type stainless steel bracket