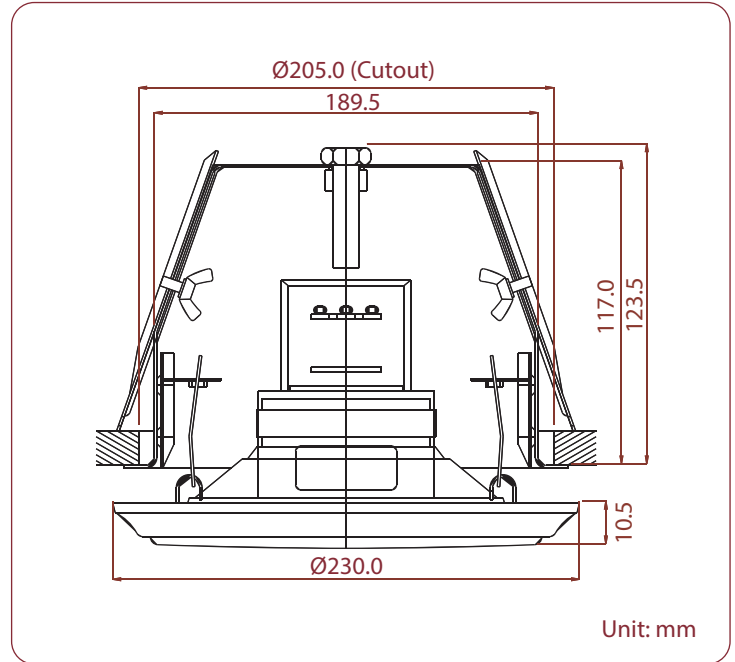




# QCM206006

## Quick-Mount Ceiling Loudspeaker



- 100 Hours Life Tested
- CE Certified (EMC & LVD)
- IP Rated
- Rustproof
- UL94V0
- BS 5839 Part 8 & EN 60849
- EASE Data
- RoHS Compliance
- UV Stable
- Withstanding/Insulation Tested

- Compliant with EN 54-24
- Compliant with British Standard BS 5839 part 8 and EN 60849
- Patented fire dome enables install time to be reduced
- Two cable entries to enable loop in loop out installation
- Mild steel construction capable of withstanding temperature of 650°C
- Fitted with a 6.5" twin cone driver unit
- Designed to wide response for music & speech
- Finished in white

Model No.	QCM206006
Rated Power (rms)	6W
Impedance	1.67kΩ, 3.33kΩ, 6.67kΩ & 13.33kΩ
Power Taps @ 100V	6W, 3W, 1.5W & 0.75W
Power Taps @ 70V	3W, 1.5W, 0.75W & 0.375W
SPL (1W / 1m)	91dB
Max. SPL (Rated W / 1m)	99dB
Frequency Range (-10dB)	230 Hz ~ 20k Hz
Dispersion 1k Hz / 4k Hz	131° / 166°
Operating Temperature	-30°C ~ +60°C
Operating Temperature - EN54-24	-10°C ~ +55°C
Ingress Protection - EN54-24	IP 21C
Power Selection	Plug
Material	Baffle: Steel, Grille: Steel
Colour / Finish	White
Dimensions	230.0 (9.06) Dia. X 134.0 (5.27) Height mm. (in.)
Cutout Size	205.0 (8.07) Dia. mm. (in.)
Net Weight (ea)	2.00 kg (4.40 lb.)
Mounting	Spring loaded Quick-Mount assembly