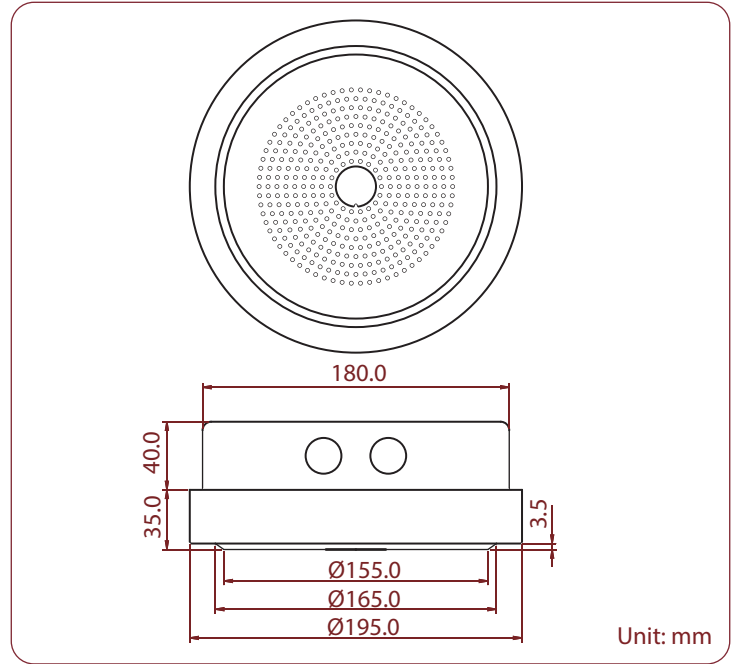




SCS205006 Surface-Mount Ceiling Loudspeaker



Unit: mm

- 100 Hours Life Tested
- CE Certified (EMC & LVD)
- IP Rated
- Rustproof
- UL94V0
- BS 5839 Part 8 & EN 60849
- EASE Data
- RoHS Compliance
- UV Stable
- Withstanding/Insulation Tested

Multi purpose surface-mount ceiling loudspeaker, designed to be vandal-proof as well as compliant with voice alarm standards world-wide. Ideal for environments such as schools, public buildings, car parks, offices etc

- **Compliant with EN 54-24**
- **Compliant with British Standard BS 5839 part 8 and EN 60849**
- **Two cable entries to enable loop in loop out installation**
- **Twin ceramic termination blocks and fire resistant internal cabling**
- **150°C thermal circuit isolating fuse**
- **Safety cord from the backbox for easy installation**
- **Finished in white**

Model No.	SCS205006
Rated Power (rms)	6W
Impedance	1.67kΩ, 3.33kΩ, 6.67kΩ & 13.33kΩ
Power Taps @ 100V	6W, 3W, 1.5W & 0.75W
Power Taps @ 70V	3W, 1.5W, 0.75W & 0.375W
SPL (1W / 1m)	93dB
Max. SPL (Rated W / 1m)	100dB
Frequency Range (-10dB)	140 Hz ~ 20k Hz
Dispersion 1k Hz / 4k Hz	192° / 85°
Operating Temperature	-35°C ~ +70°C
Operating Temperature - EN54-24	-10°C ~ +55°C
Ingress Protection - EN54-24	IP 21C
Power Selection	Plug
Material	Housing: Steel
Colour / Finish	White
Dimensions	195.0 (7.68) Dia. X 75.0 (2.95) Height mm. (in.)
Net Weight (ea)	1.90 kg (4.18 lb.)
Mounting	Screw