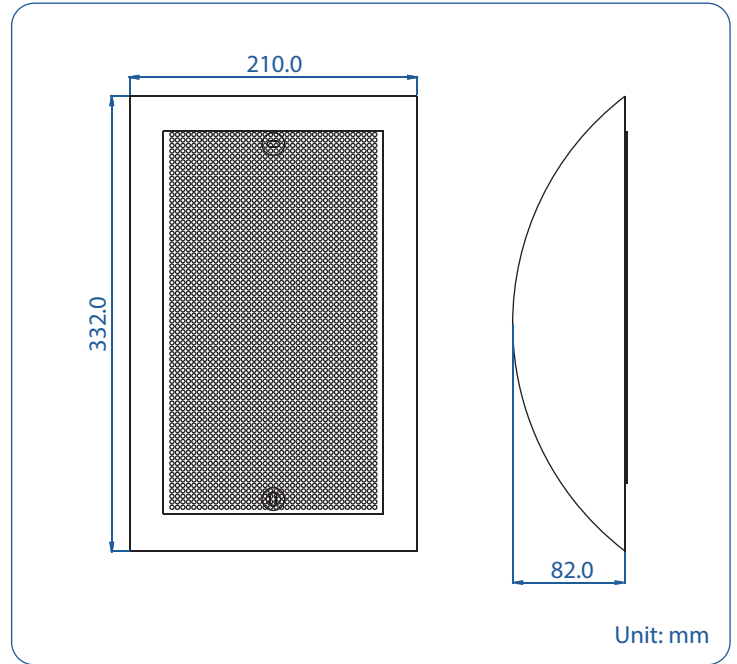




# WSP-5061 "Designer" Wall Loudspeaker



- 100 Hours Life Tested
- CE Certified (EMC & LVD)
- IP Rated
- Rustproof
- UL94V0
- BS 5839 Part 8
- EASE Data
- RoHS Compliance
- UV Stable
- Withstanding/Insulation Tested

- 5.25" twin cone driver unit for high quality sound reproduction
- Bass reflex design
- Sleek "Designer" style wall speaker
- Rugged ABS cabinet
- Ideal for background music as well as public address announcements
- Finished in white

| Model No.                | WSP-5061   |
|--------------------------|--|
| Rated Power (rms)        | 6W   |
| Impedance                | 1.67kΩ, 3.33kΩ, 6.67kΩ & 13.33kΩ                     |
| Power Taps @ 100V        | 6W, 3W, 1.5W & 0.75W                                 |
| Power Taps @ 70V         | 3W, 1.5W, 0.75W & 0.375W                             |
| SPL (1W / 1m)            | 93dB   |
| Max. SPL (Rated W / 1m)  | 100dB  |
| Frequency Range (-10dB)  | 160 Hz ~ 20k Hz                                      |
| Dispersion 1k Hz / 4k Hz | 130° / 80°   |
| Operating Temperature    | -30°C ~ +60°C  |
| Power Selection          | Plug   |
| Material                 | Housing: High impact ABS, Grille: Steel              |
| Colour / Finish          | White  |
| Dimensions               | 210.0 (8.27) X 332.0 (13.07) X 82.0 (3.23) mm. (in.) |
| Net Weight (ea)          | 1.46 kg (3.22 lb.)                                   |
| Mounting                 | Screws   |