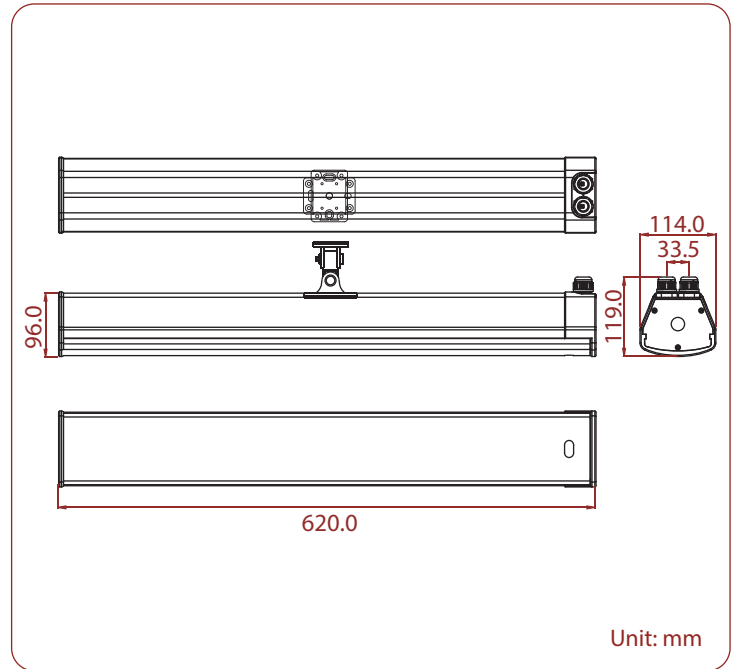




COS203020

Waterproof Column Loudspeaker

【 EN 54-24 】



Unit: mm

- 100 Hours Life Tested
- CE Certified (EMC & LVD)
- IP Rated
- RoHS Compliance
- UL94V0
- BS 5839 Part 8 & EN 60849
- EASE Data
- Multi-Bracket Broken Tested
- Rustproof
- Withstanding/Insulation Tested

- Compliant with EN 54-24
- Compliant with British Standard BS 5839 part 8 and EN 60849
- Rotary power selector
- Two cable entries to enable loop in loop out installation
- Ingress protected to IEC 60529 IP 66, suitable for indoor and outdoor use
- Durable extruded aluminium housing
- Durable aluminium alloy multi bracket broken tested up to 1500 kgf
- Finished in white

Model No.	COS203020
Rated Power (rms)	20W
Number of Loudspeakers	3.5" Woofer X 4 + 3.25" Tweeter X 1
Impedance	250Ω, 500Ω, 1kΩ, 2kΩ & 4kΩ
Power Taps @ 100V	20W, 10W, 5W & 2.5W
Power Taps @ 70V	20W, 10W, 5W, 2.5W & 1.25W
SPL (1W / 1m)	92 dB
Max. SPL (Rated W / 1m)	105 dB
Frequency Range (-10dB)	140 Hz ~ 20k Hz
Dispersion 1k Hz / 4k Hz	H: 185°/ 98°, V: 47°/ 18°
Operating Temperature	-30°C ~ +70°C
Operating Temperature - EN 54-24	-25°C ~ +70°C
Ingress Protection	IEC 60529 IP 66
Ingress Protection - EN 54-24	IP 33C
Power Selection	Selecting Switch
Material	Housing: Extruded aluminium, Grille: Aluminium
Colour / Finish	White
Dimensions	620.0 (24.40) L X 114.0 (4.49) W X 96.0 (3.78) D mm. (in.)
Net Weight (ea)	4.50 kg (9.90 lb.)
Mounting	Aluminium alloy multi bracket